



**K/S**  
**MONITOR**  
**S E R I E S**

## ***User's Manual***

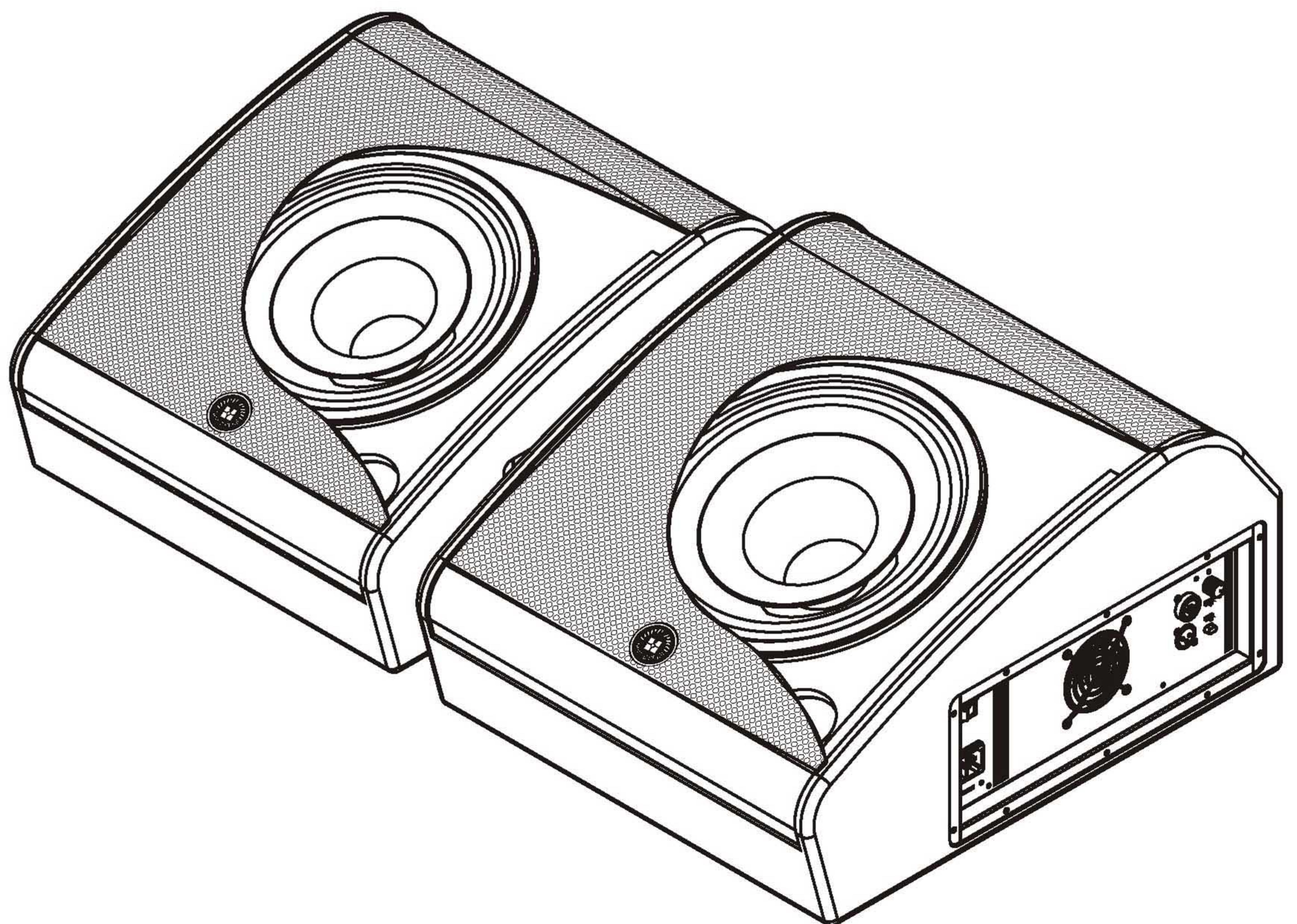
**PROFESSIONAL ACTIVE  
AUDIO MONITORS  
KS12CMA/15CMA**

---

**12"**

**15"**

**ACTIVE**  
S P E A K E R



## IMPORTANT SAFETY INSTRUCTION



**TO REDUCE THE RISK OF ELECTRIC SHOCK PLEASE DO NOT REMOVE THE COVER OR THE BACK PANEL OF THIS EQUIPMENT. THERE ARE NO PARTS NEEDED BY USER INSIDE THE EQUIPMENT. FOR SERVICE, PLEASE CONTACT QUALIFIED SERVICE CENTERS.**

This symbol, wherever used, alerts you to the presence of un-insulated and dangerous voltages within the product enclosure. These are voltages that may be sufficient to constitute the risk of electric shock or death.

This symbol, wherever used, alerts you to important operating and maintenance instructions. Please read.

- ⊕ Protective Ground Terminal
- ~ AC mains (Alternating Current)
- ⚡ Hazardous Live Terminal

ON: Denotes the product is turned on.  
OFF: Denotes the product is turned off.

### CAUTION:

Describes precautions that should be observed to prevent damage to the product.

1. Read this Manual carefully before operation.
2. Keep this Manual in a safe place.
3. Be aware of all warnings reported with this symbol.
4. Keep this Equipment away from water and moisture.
5. Clean it only with dry cloth. Do not use solvent or other chemicals.
6. Do not damp or cover any cooling opening. Install the equipment only in accordance with the Manufacturer's instructions.
7. Power Cords are designed for your safety. Do not remove Ground connections! If the plug does not fit your AC outlet, seek advice from a qualified electrician. Protect the power cord and plug from any physical stress to avoid risk of electric shock. Do not place heavy objects on the power cord. This could cause electric shock or fire.
8. Unplug this equipment when unused for long periods of time or before a storm.
9. Refer all service from qualified service personnel only. Do not perform any servicing instructions other than those contained within the User's Manual.
10. To prevent fire and damage to the product, use only the recommended fuse type as indicated in this manual. Do not short-circuit the fuse holder. Before replacing the fuse, make sure that the product is OFF and disconnected from the AC outlet.

## WARNING

**To reduce the risk of electric shock and fire, do not expose this equipment to moisture or rain.**



**Dispose of this product should not be placed in municipal waste and should be separate collection.**

11. Move this Equipment only with a cart, stand, tripod, or bracket, specified by the manufacturer, or sold with the Equipment. When a cart is used, use caution when moving the cart / equipment combination to avoid possible injury from tip-over.



12. Permanent hearing loss may be caused by exposure to \ extremely high noise levels. The US. Government's Occupational Safety and Health Administration (OSHA) has specified the permissible exposure to noise level. These are shown in the following chart:

HOURS X DAY	SPL	EXAMPLE
8	90	Small gig
6	92	train
4	95	Subway train
3	97	High level desktop monitors
2	100	Classic music concert
1,5	102	
1	105	
0,5	110	
0,25 or less	115	Rock concert

According to OSHA, an exposure to high SPL in excess of these limits may result in the loss of hearing. To avoid the potential damage of hearing, it is recommended that Personnel exposed to equipment capable of generating high SPL use hearing protection while such equipment is under operation.

The apparatus shall be connected to a mains socket outlet with a protective grounding connection.

The mains plug or an appliance coupler is used as the disconnect device, the disconnect device shall remain readily operable.

## Index

---

1.Introduction .....	4
2.Features .....	4
3.Usefull Data .....	4
4.Control Elements .....	5
5.Installation & Connection Diagram .....	6
6.Installation Diagram .....	8
7.Wire Connections .....	9
8.Frequency Response Diagrams .....	10
9.Technical Specifications .....	11
10.Guarantee .....	13

# 1

## Introduction

---

Thank you for choosing TOPP PRO. The new TOPP PRO MUSIC GEAR KS monitor series cabinets are designed to provide a cost competitive and great solution while maintaining high quality construction and optimum components.

The KS monitor series are designed with light weight, powered loudspeaker systems and new Class D power amplifiers. KS 12CMA and KS 15CMA use 800Watt continuous Class D + AB power module. They break the traditional loudspeaker paradigm. Each model is equipped with the identical 1.75" voice coil Compression Driver, and with the woofer of high quality for unparalleled performance. Extensive DSP processing can provide levels of sonic clarity.

Premium-grade materials, advanced construction processes, bracket angle adjustable and monitor function are allowed for a wide range of live and stage monitor applications. Great care is placed in delivering products with excellent performance, specifications, and dependable reliability. Every TOPP PRO audio products are strictly tested and complied with strict standards. Please carefully read this manual before starting operation!

Thank you again for choosing TOPP PRO MUSIC GEAR KS MONITOR SERIES!

# 2

## Features

---

KS 12 / 15 CMA

- Attractive and professional appearance
- 2-Way Active Monitor with DSP
- 1"EXIT, 1.75" Voice Coil Compression Driver
- 800W Class D+AB BI-AMP
- Volume control/Power ON with green LED/Clip limiter with Red LED/Ground lift/Switch for Input Sens.
- DSP Presets: Vocal 1 / Flat / Vocal 2
- Thermal/convection fan/overload/Digital Lim/compressor
- 110-120V~50/60Hz or 220-240V~50/60Hz switchable
- Plywood cabinet, resistant black paint, metal grille with foam, rubber feet
- One metal standard pole-mount / Bracket for handle as well

# 3

## Usefull Data

---

Please write your serial number here for future reference.

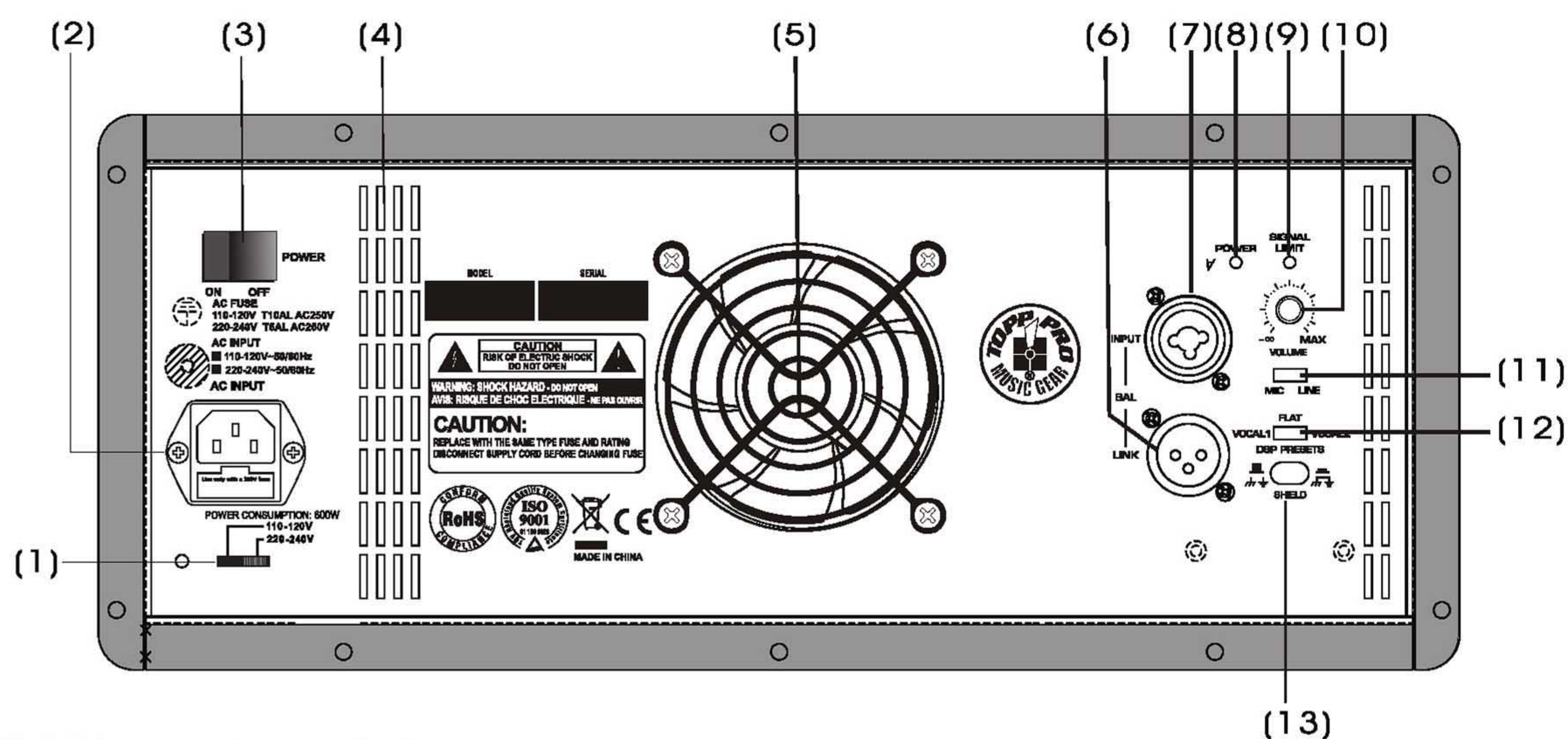
**Serial Number:**

**Date of Purchase:**

**Purchased at:**

## Control Elements

### KS12CMA/15CMA AMP INTERFACE



- (1) AC input voltage selector
- (2) Input AC power socket with AC fuse
- (3) Main power switch
- (4) Vents for heat dissipation and ventilation
- (5) Convection fan
- (6) Link on XLR
- (7) Mic/line in with combo
- (8) Power LED
- (9) Clip LED indicator
- (10) Volume control
- (11) Switch for input sens
- (12) Dsp Presets: VOCAL1/FLAT/VOCAL2
- (13) SHIELD

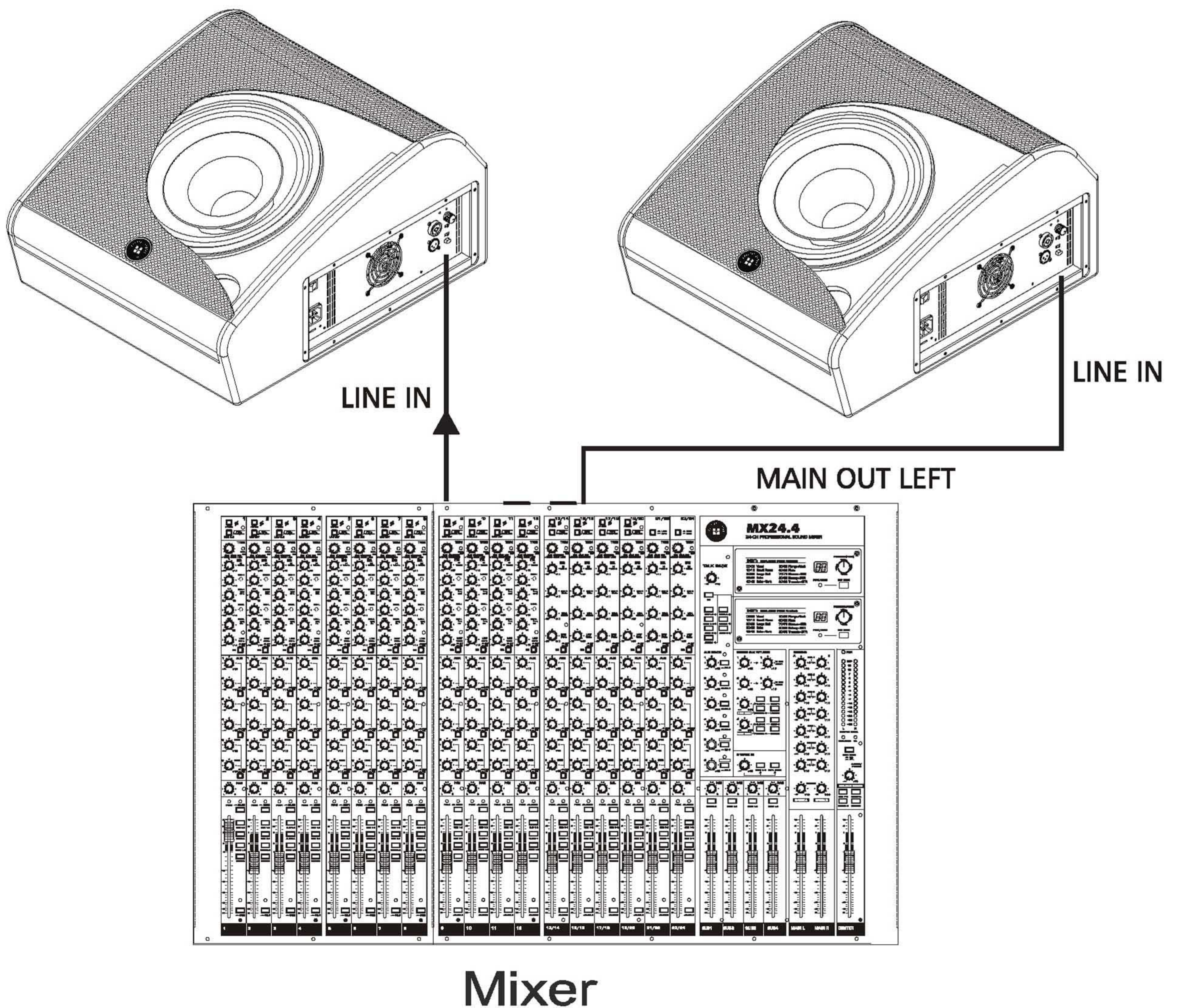
# 5

## Installation & Connection Diagram

***Make your initial connections with all the equipment powered off, and ensure that all the main volume controls are turned down completely.***

- 1) Connect one side of the signal cable at your mixer into the Main Output Left / Right (with 1/4" Jack or XLR) and the other side of the cable to the Line Input (COMBO) of your KS12CMA/15CMA monitor speaker cabinet (with 1/4" Jack or XLR)
- 2) Connect the power cord to mains.
- 3) Turn ON your mixer first, then the KS12CMA/15CMA cabinets.
- 4) Turn up the volume control of the KS12CMA/15CMA cabinets.
- 5) Use PFL function to get the proper input level for the mixer, and adjust the Main Mix Level control to reach the desired output level.
- 6) After usage , turn off your active speaker cabinets first, then the mixer.

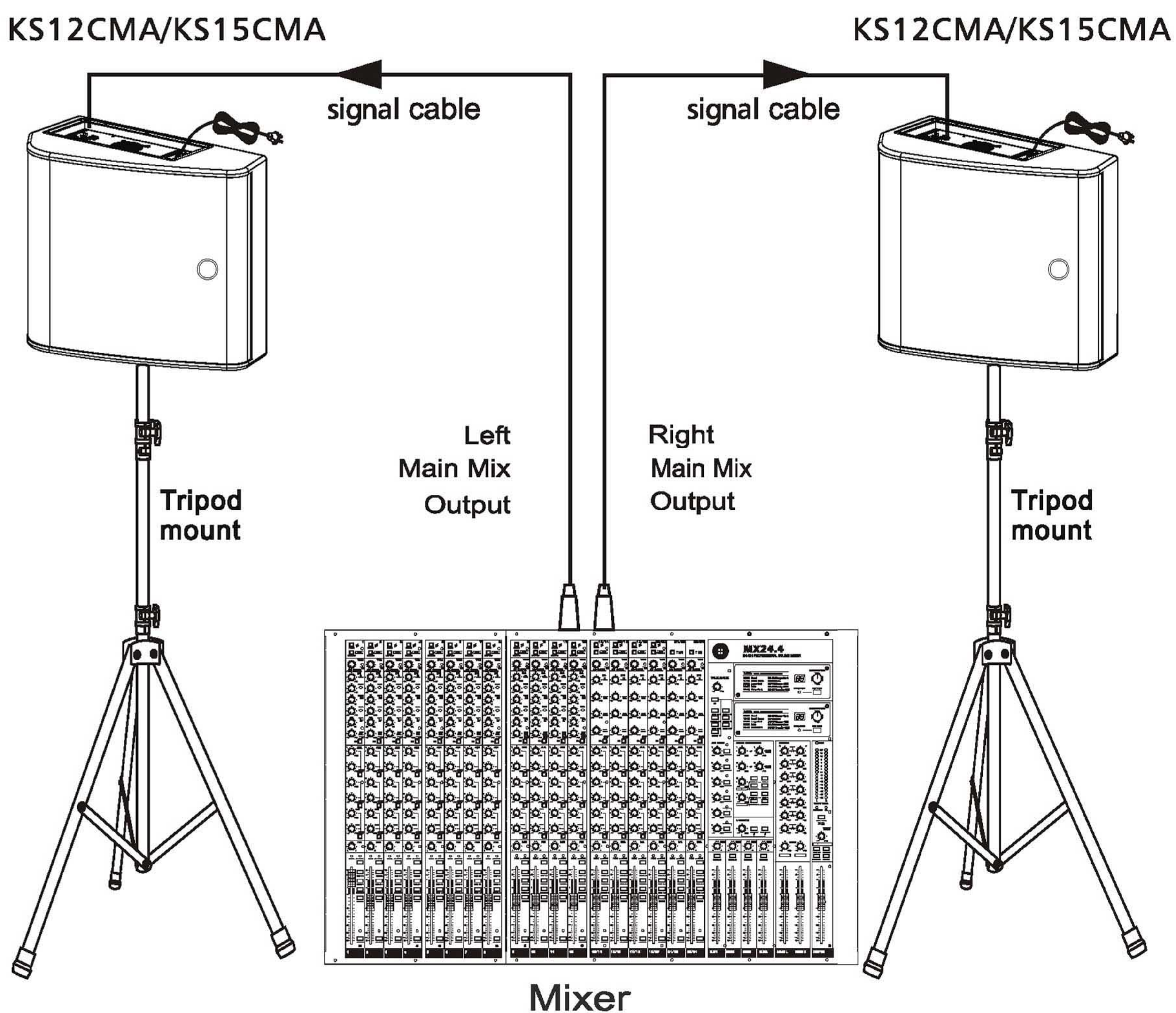
**For KS12CMA/15CMA Monitors on the floor**



**Mixer**

## Installation & Connection Diagram

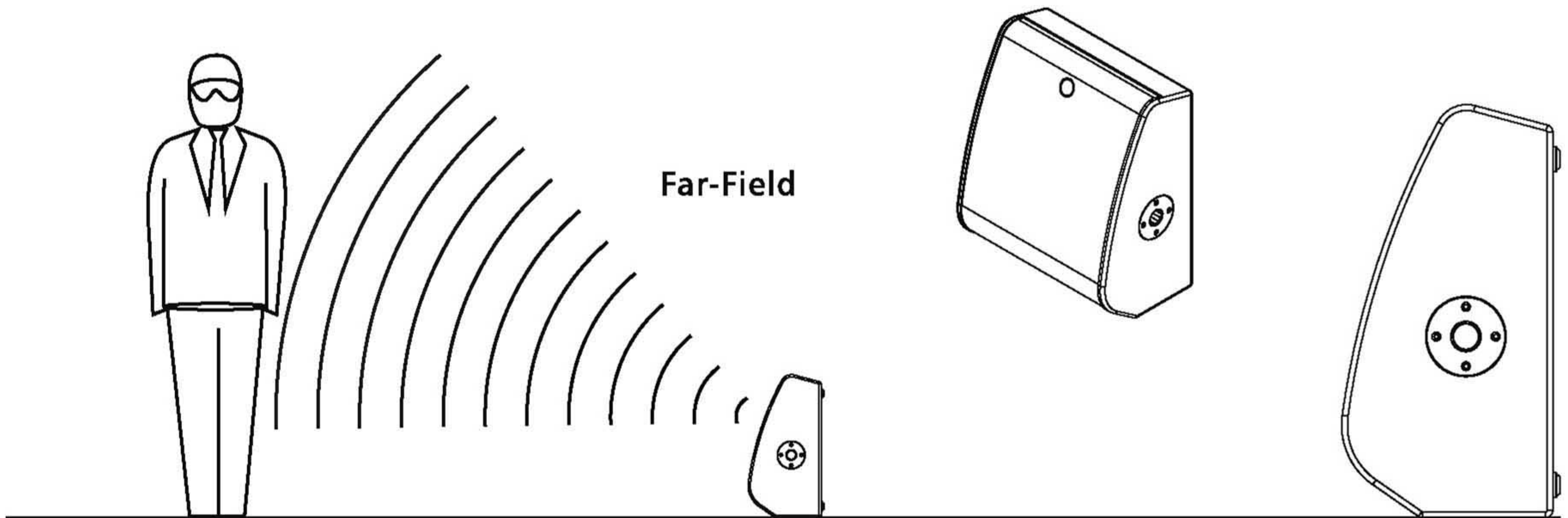
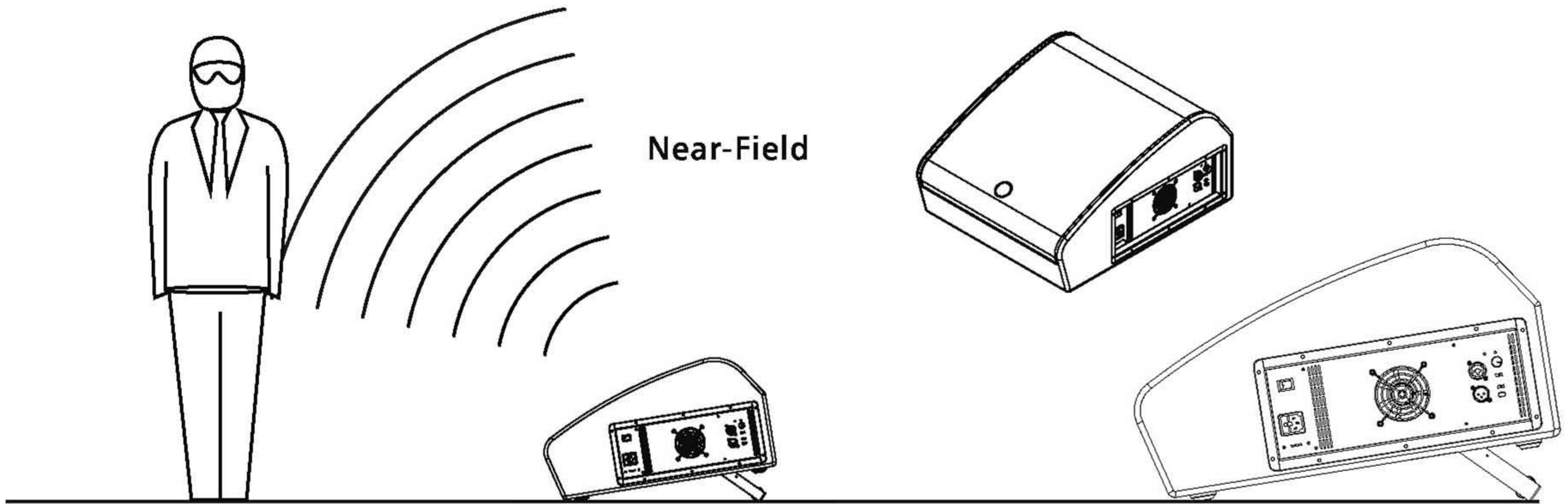
*Make your initial connections with all the equipment powered off, and ensure that all the main volume controls are turned down completely.*



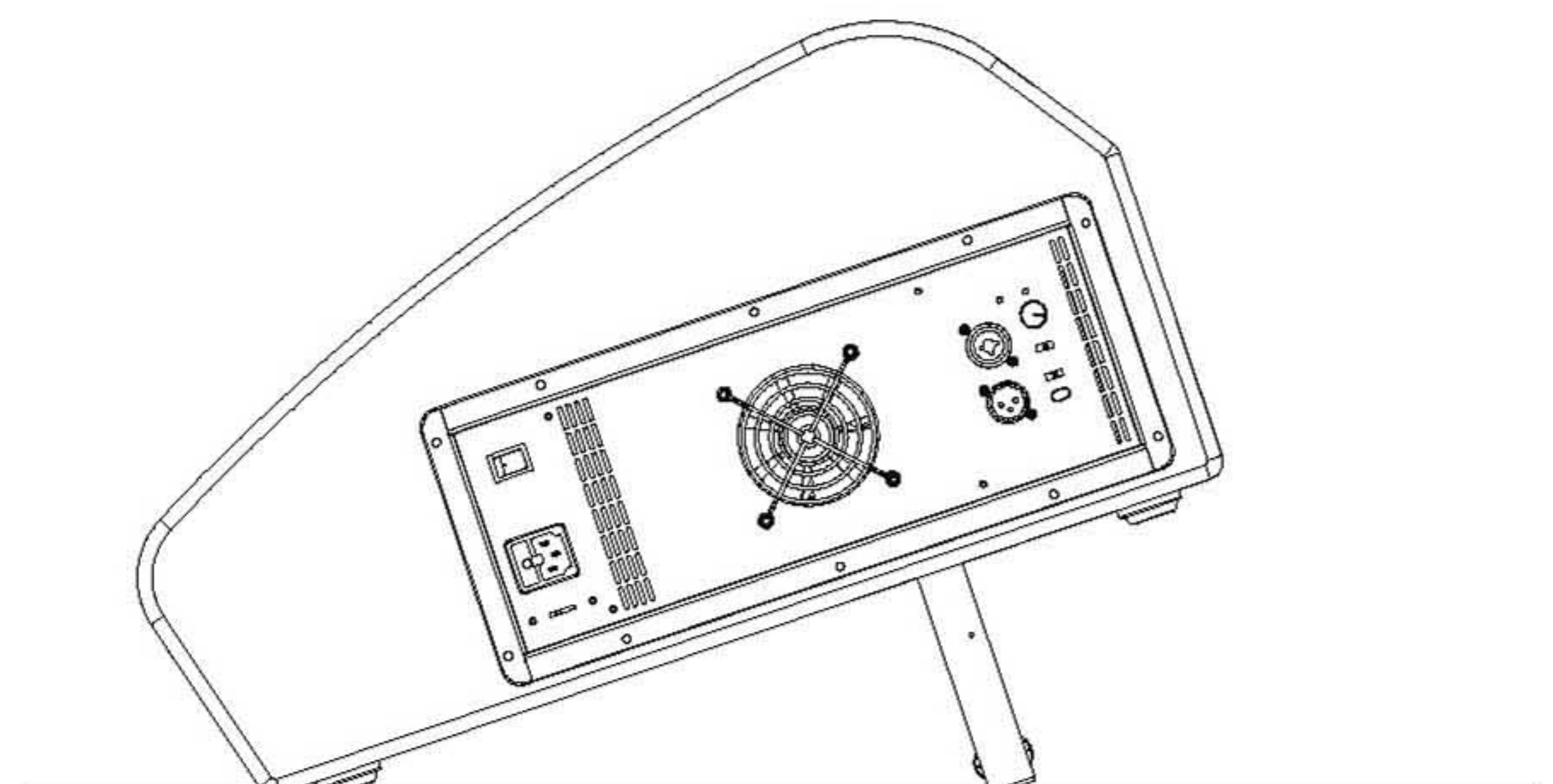
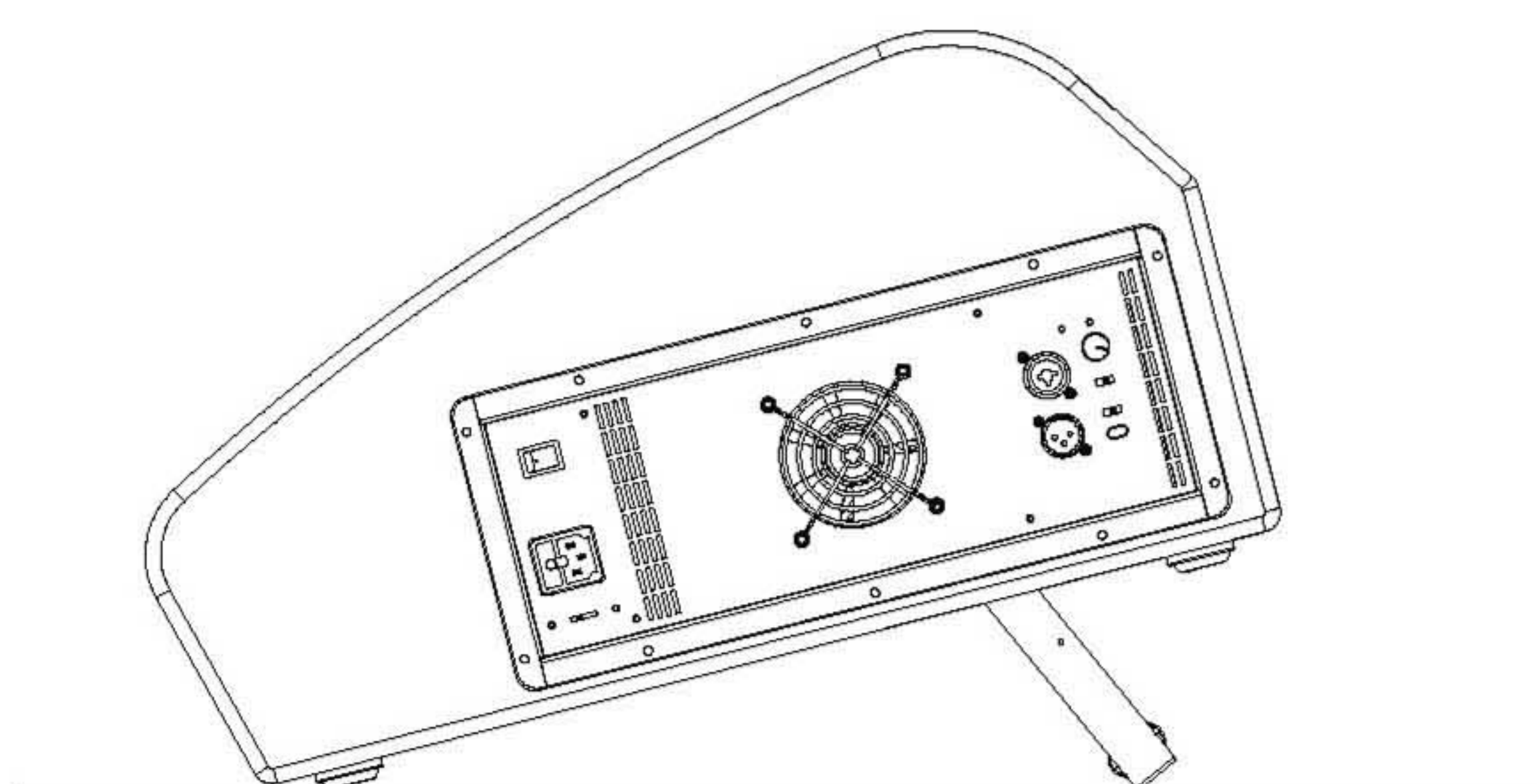
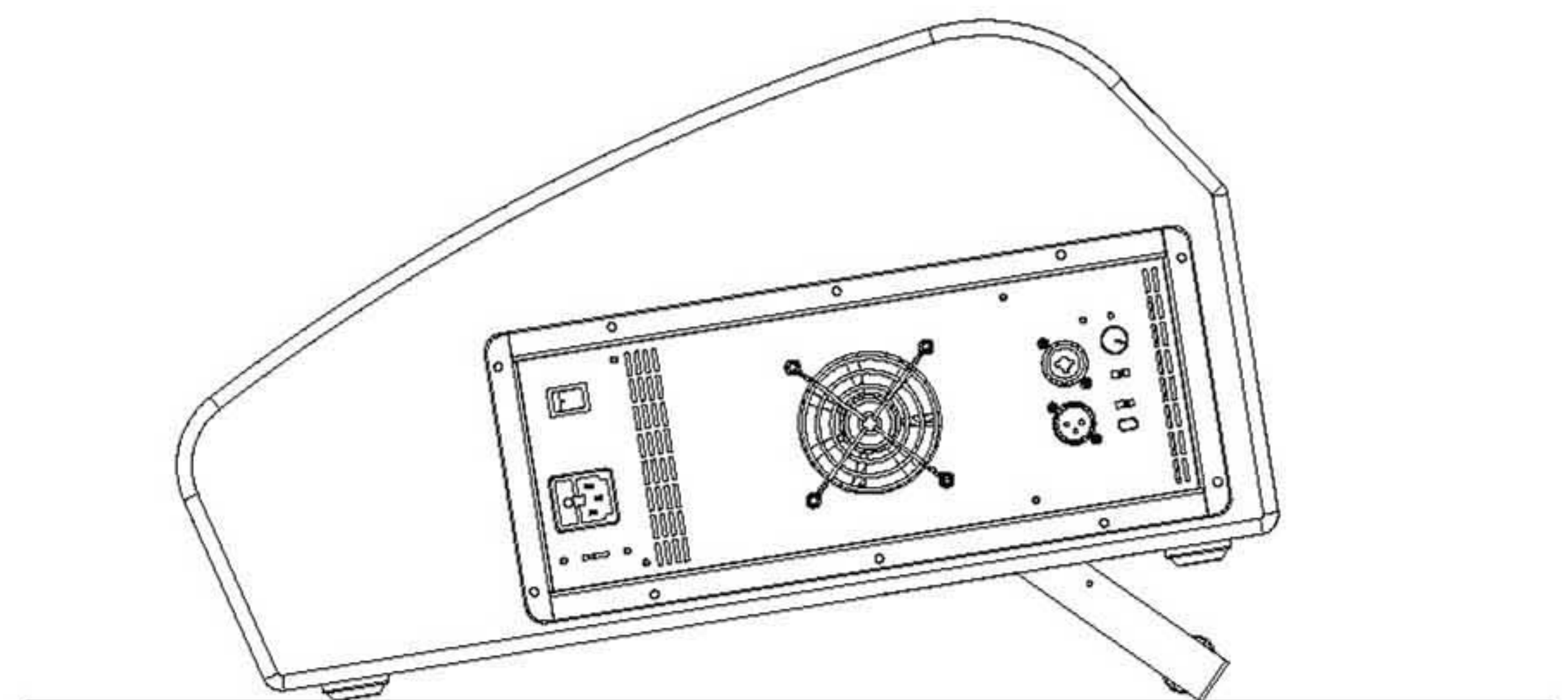
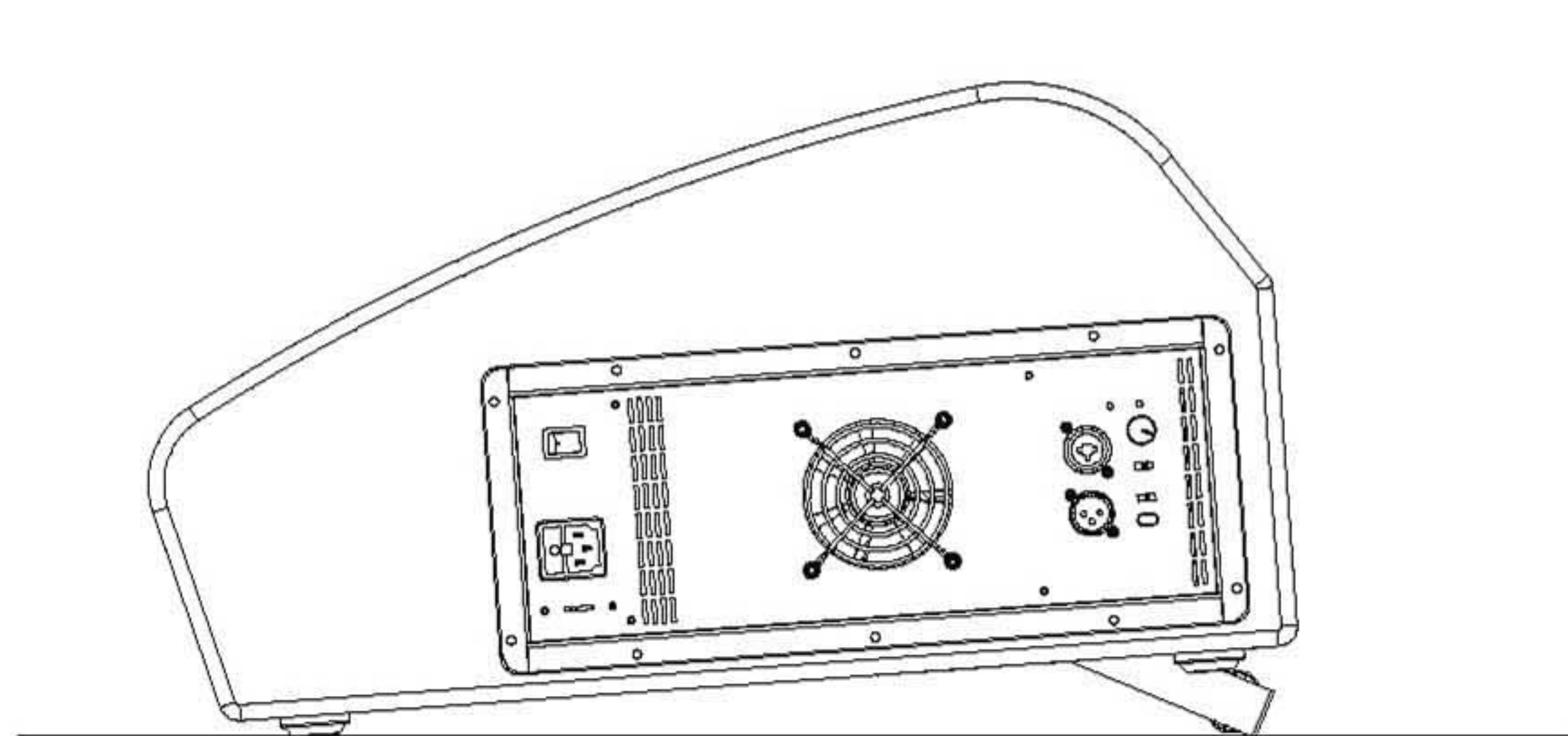
# 6

## Installation Diagram

Floor uses



Monitor Angle Adjustable(20°, 25°, 30°, 35°, 40°)

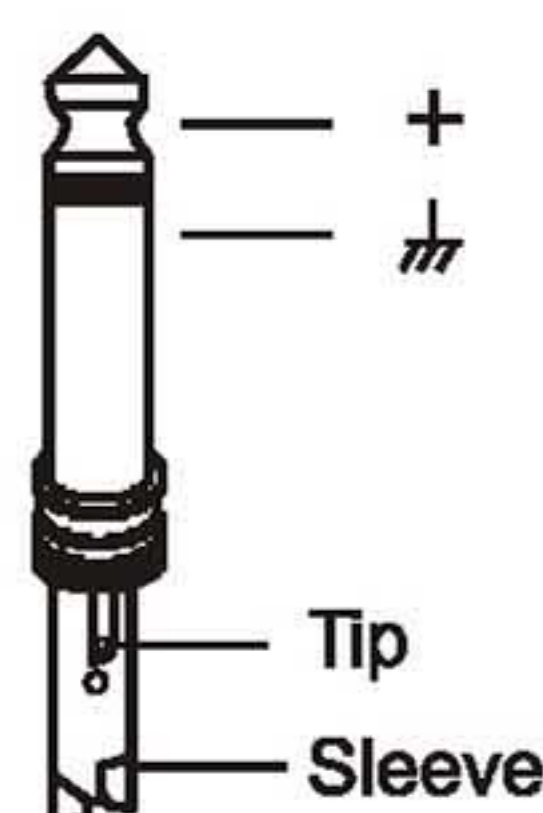




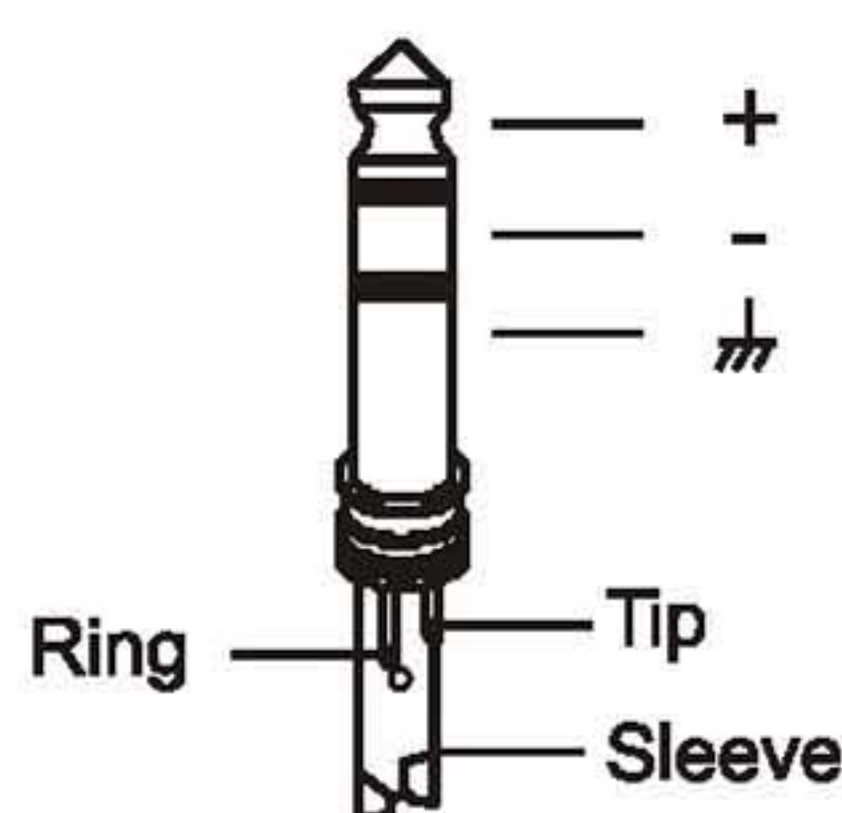
## Wire Connections

Either the 1/4" TRS phone jack or XLR connector can be wired in balanced and unbalanced modes, which will be determined by the actual application status, please wire your system as the following wiring examples:

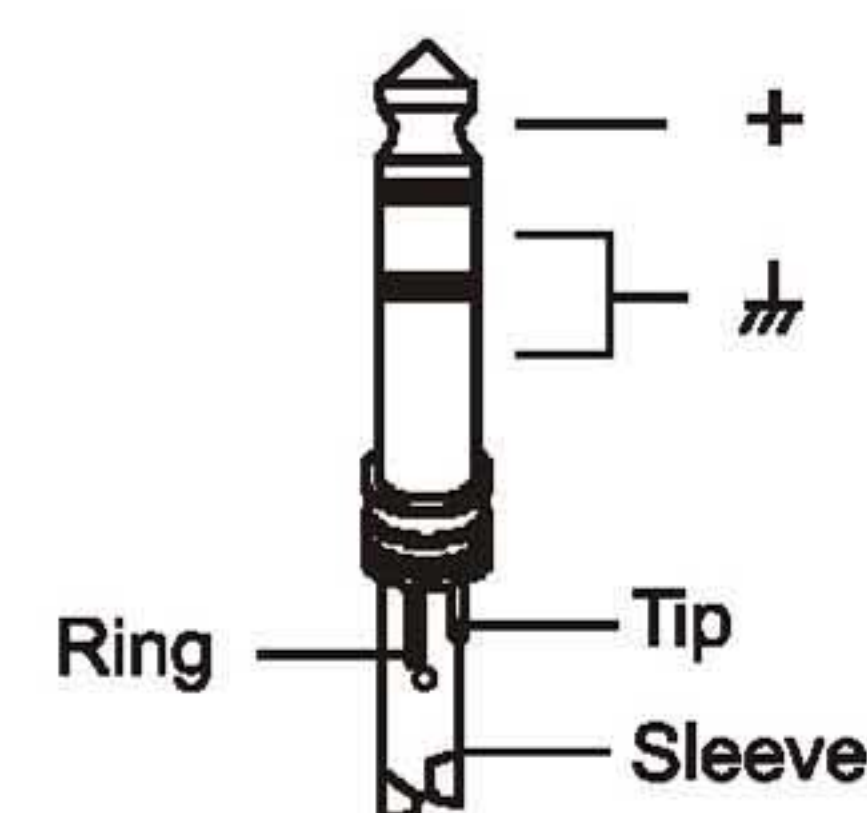
### For 1/4" Phone jack



TS Type Unbalanced

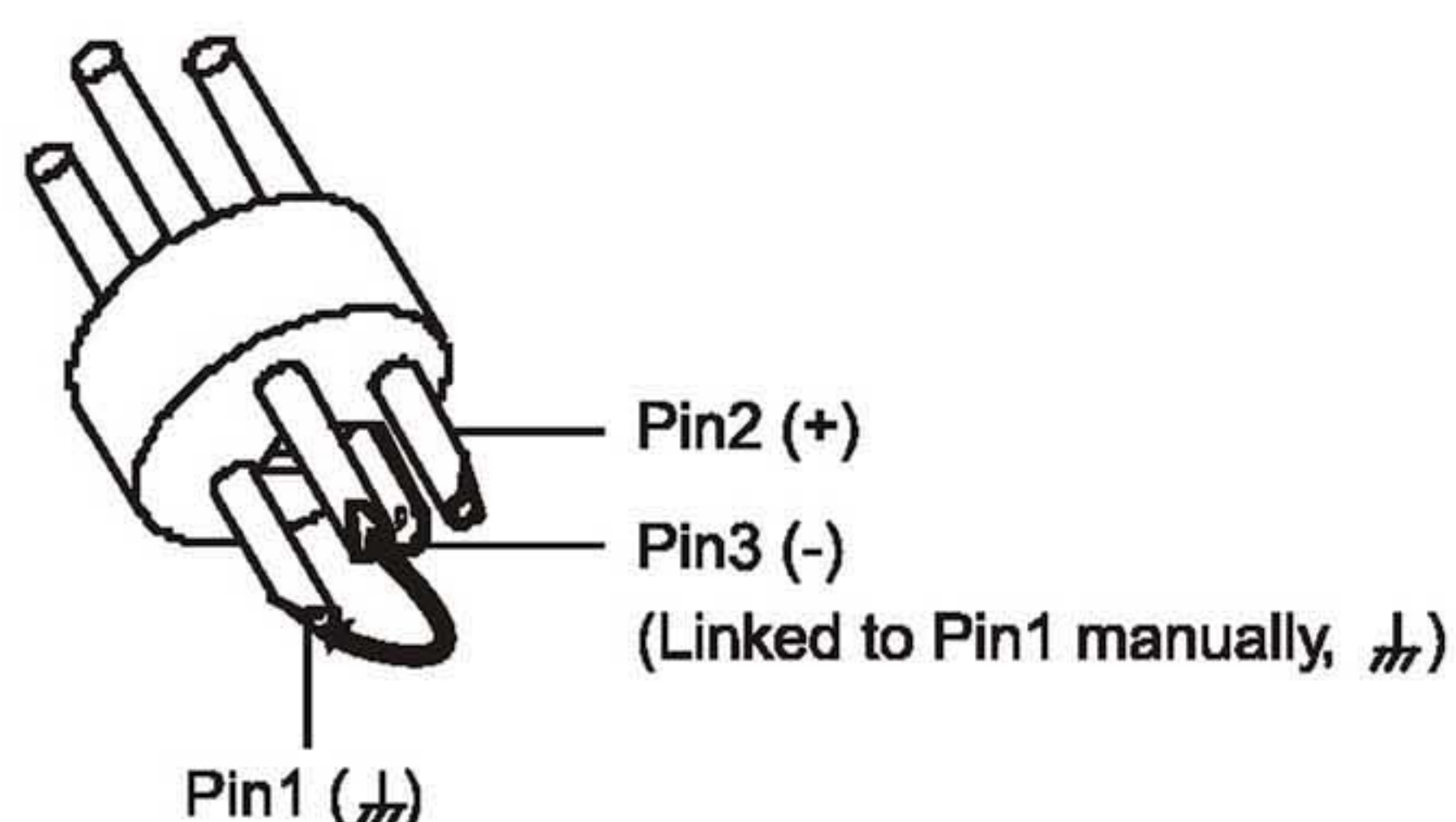


TRS Type Balanced

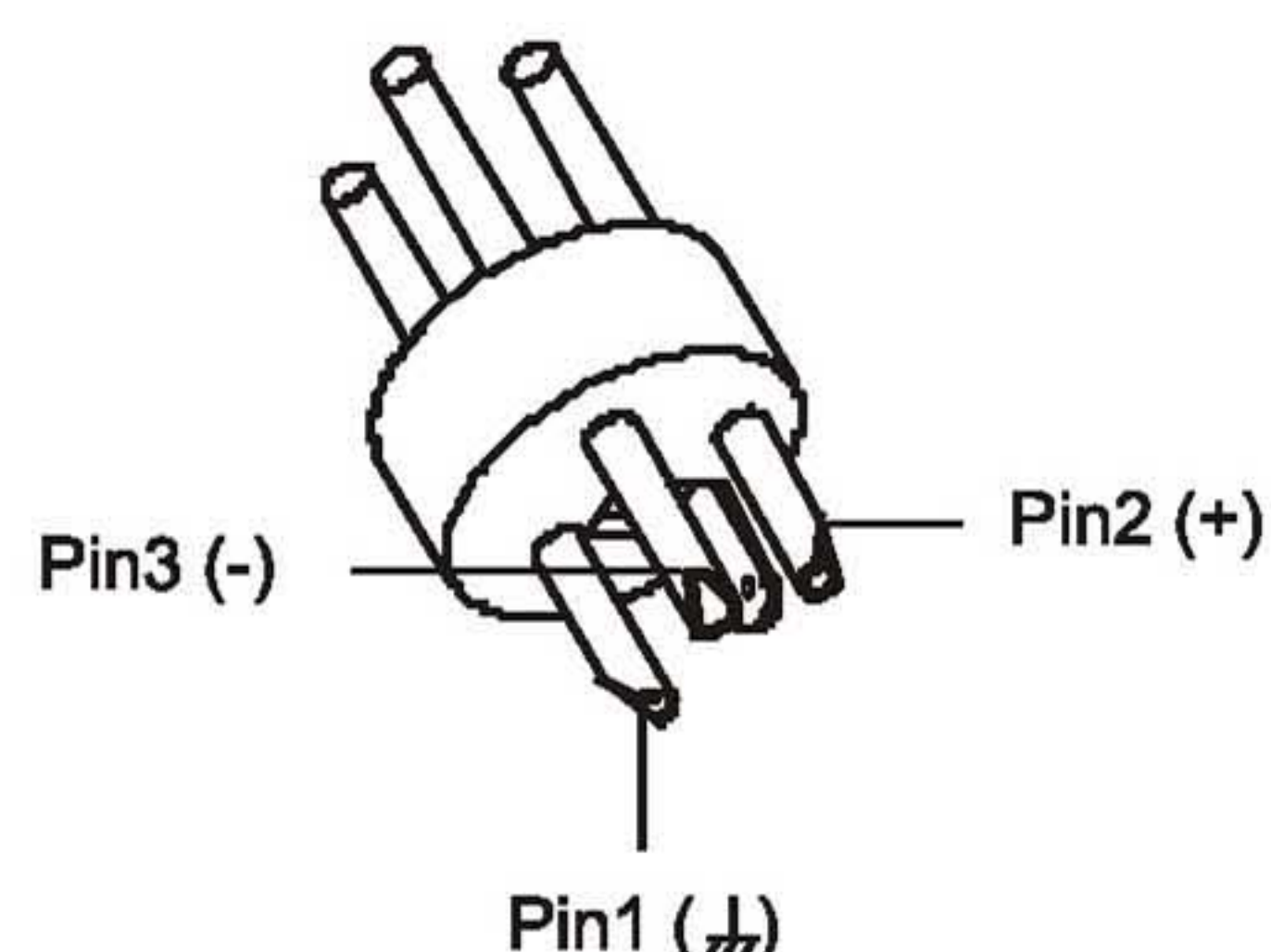


TRS Type Unbalanced

### For XLR connector



XLR Type Unbalanced

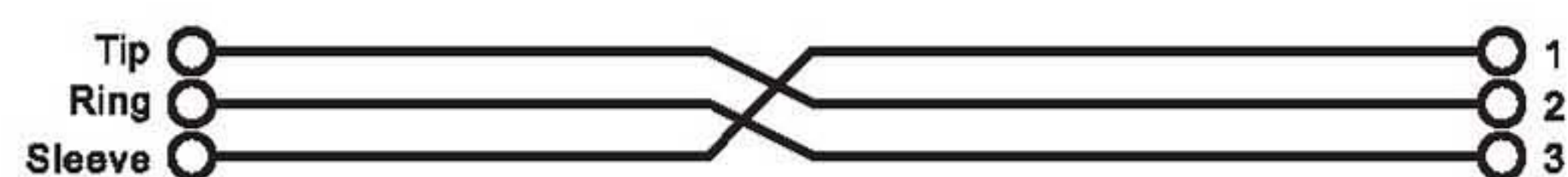
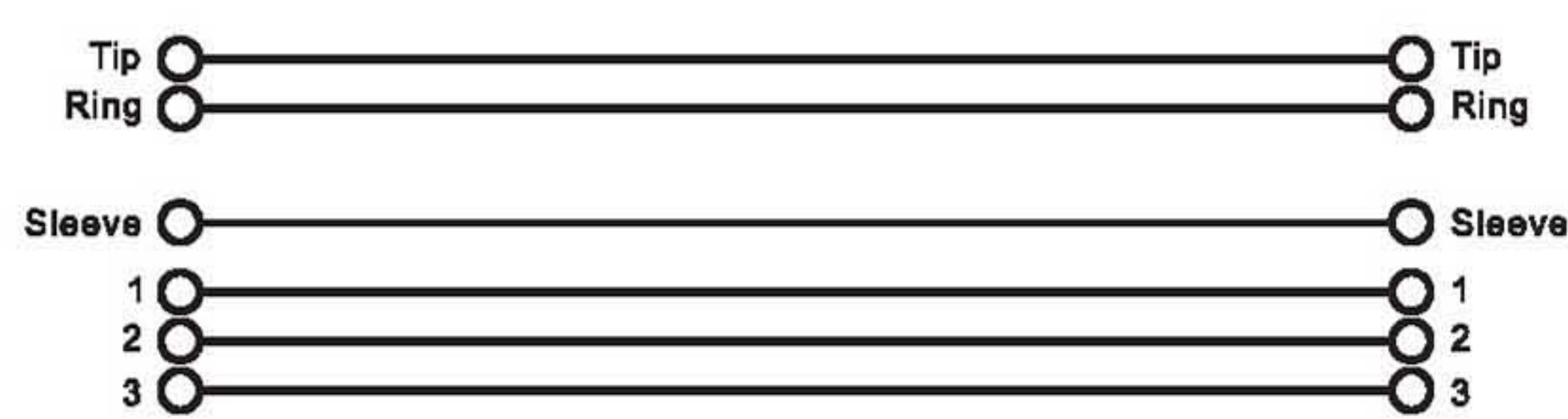


XLR Type Balanced

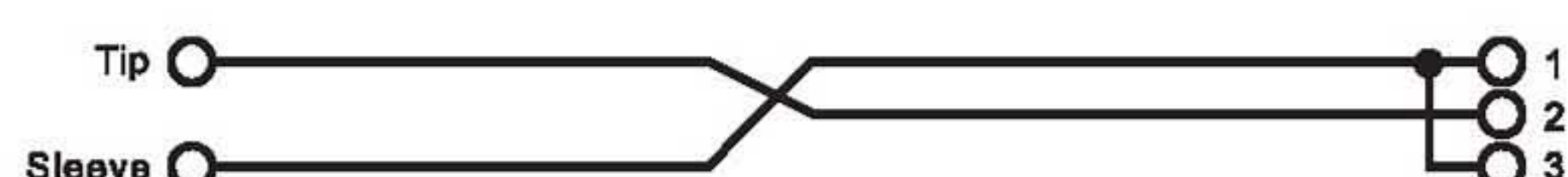
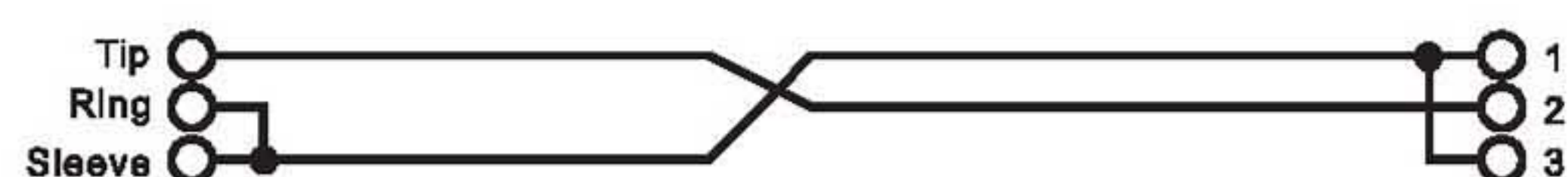
### In-line Connection

For these applications the unit provides 1/4" TRS and XLR connectors to easily interface with most professional audio devices. Follow the configuration examples below for your particular connection.

#### • Balanced



#### • Unbalanced

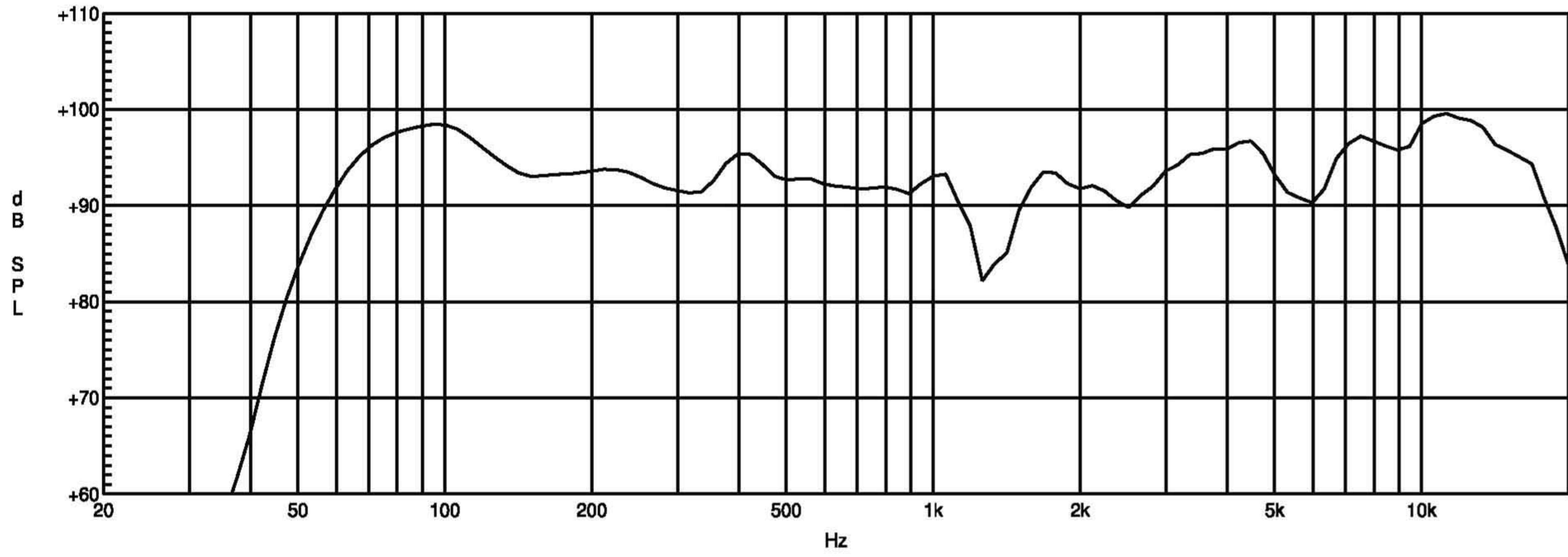


# 8

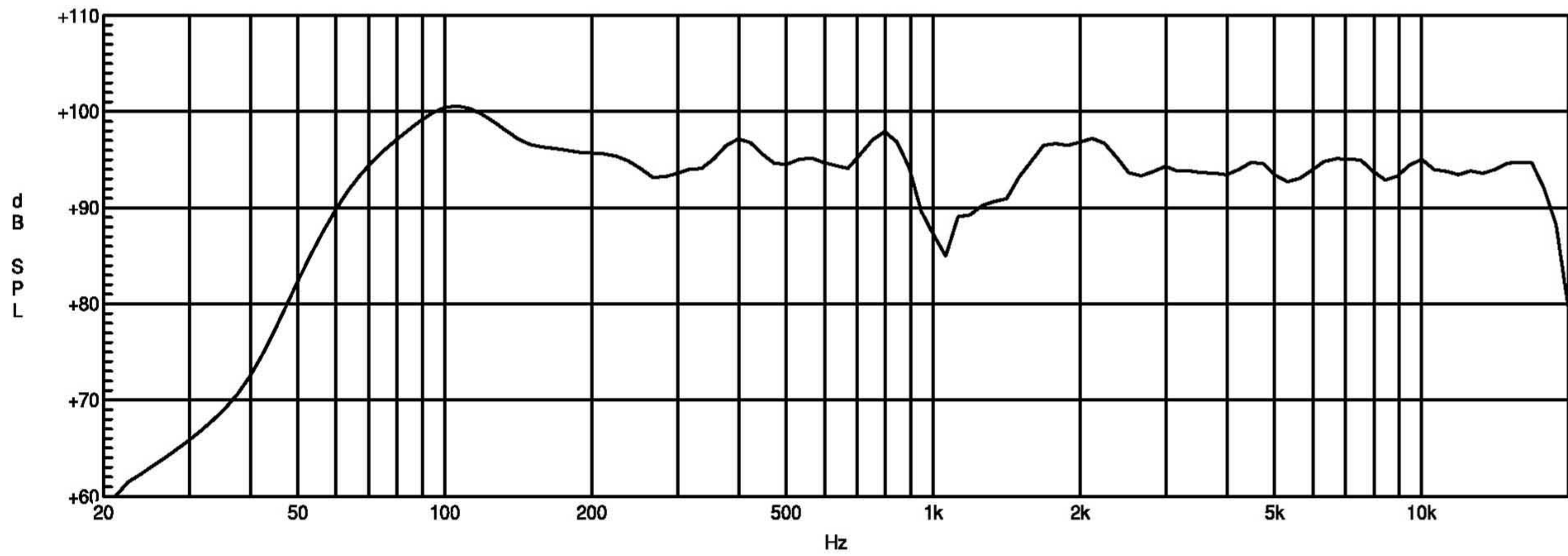
## Frequency Response Diagrams

---

KS 12CMA

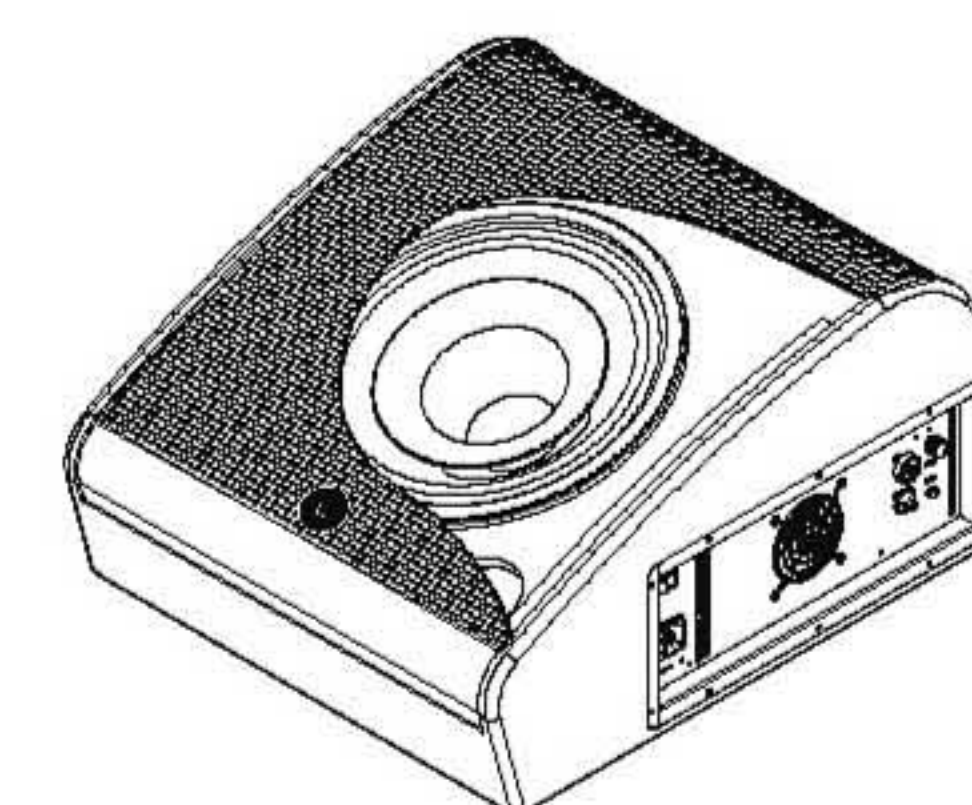


KS 15CMA

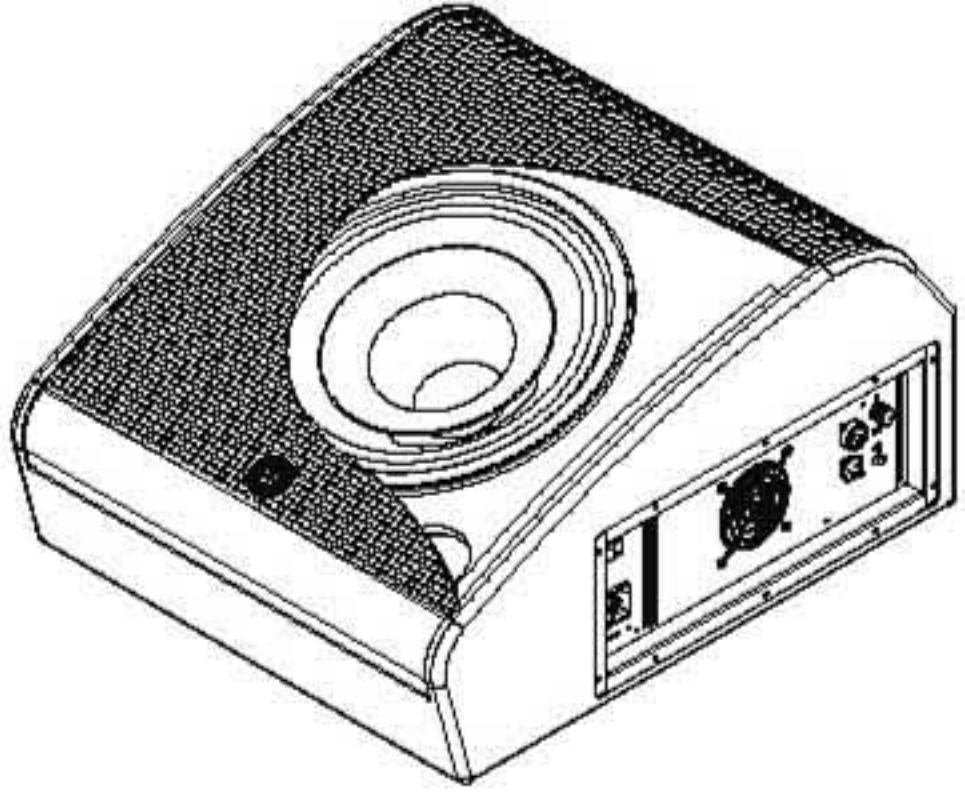


## Technical Specifications

Model	<b>KS 12CMA</b>
System Type	2-Way Active Monitor with DSP
Transducer Low	12" Woofer, 3"voice coil
Transducer Driver	1" Compression Driver, 1.75" Voice Coil
Nominal Coverage (H*V)	60°*40° (-6dB)
Frequency Response	60Hz-20KHz (-6dB)
Crossover Frequency	At 1.5KHz with 24dB filter slope
Max SPL	128dB at 1M
Power Rating	800W Continuous,Bi-AMP (Class D-650W LF,Class AB-150W HF), 1600W Peak
Input Connector	Line/Mic -Combo/Link-XLR
Line Input	Combo Connector 0dBu
Dsp Presets	VOCAL1/FLAT/VOCAL2
External Controls	Volume Control/Power ON with Green LED/ Clip Limiter with Red LED/ Ground Lift/Switch for Input Sens
Electronic Protections	Thermal/Convection-Fan/Overload/Digital Lim./Compressor
Power Supply	110-120V/220-240V~50/60Hz Switchable
Enclosure Construction	Trapezoidal, Plywood cabinet, resistant black paint, metal grille with black foam, rubber feet
Monitor Angle	Adjustable(20°, 25°,30°,35°,40°)
Dimensions (HxWxD)	291.9*470*570.3mm
Net Weight	21.8kg/48.1lbs
Volume	4.91cft



## Technical Specifications



Model	<b>KS 15CMA</b>
System Type	2-Way Active Monitor with DSP
Transducer Low	15" Woofer, 3"voice coil
Transducer Driver	1" Compression Driver, 1.75" Voice Coil
Nominal Coverage (H*V)	60°*40° (-6dB)
Frequency Response	55Hz-20KHz (-6dB)
Crossover Frequency	At 1.5KHz with 24dB filter slope
Max SPL	129dB at 1M
Power Rating	800W Continuous,Bi-AMP (Class D-650W LF,Class AB-150W HF), 1600W Peak
Input Connector	Line/Mic -Combo/Link-XLR
Line Input	Combo Connector 0dBu
Dsp Presets	VOCAL1/FLAT/VOCAL2
External Controls	Volume Control/Power ON with Green LED/ Clip Limiter with Red LED/ Ground Lift/Switch for Input Sens
Electronic Protections	Thermal/Convection-Fan/Overload/Digital Lim./Compressor
Power Supply	110-120V/220-240V~50/60Hz Switchable
Enclosure Construction	Trapezoidal, Plywood cabinet, resistant black paint, metal grille with black foam, rubber feet
Monitor Angle	Adjustable(20° , 25° ,30° ,35° ,40°)
Dimensions (HxWxD)	306.9*510*570.3mm
Net Weight	24.6Kg/54.3lbs
Volume	5.47cft

## Guarantee

---

**Topp Pro** guarantees the normal operation of the product against any defect of manufacture and/or vice of material, by the term of (12) months, counted as of the date of purchase on the part of the user, committing itself to repair or to change, to its election, without position some, any piece or component that will fail in normal conditions of use within the mentioned period.

This guarantee is valid if the original buyer will have to present/display this certificate properly sealed and signed by the selling house, accompanied by the corresponding invoice of purchase where it consisted the model and serial number of the acquired equipment.

The guarantee does not cover:

- Damages caused by the illegal use of the product, repair and/or nonauthorized modification conducted by people .
- Damages caused by the connection of the equipment to other equipment different from the specified ones in the manual of use, or by bad connection to these last ones.
- Damages caused by electrical storms, blows and/or incorrect transport.
- Damages caused by excesses or falls of voltage in the network or by connection to networks with a voltage different from the required one by the unit.
- Damages caused by the presence of sand, acid of batteries, water, or any strange element inside the equipment.
- Deteriorations produced by the course of the time, use and/or normal wear of the unit.
- Alteration or absence of the serial number of factory of the equipment.

The repairs could only be carried out the authorized technical service by **Topp Pro**, that will inform about the term and other details into the repairs to take place according to this guarantee.

**Topp Pro**, will repair this unit in counted a term nongreater to 30 days as of the date of entrance of the unit to the Technical Service. In those cases in that due to the particularity of the spare part, outside necessary their import, the repair time and the viability of the same one will be subject to the effective norms for the import of parts, in which case one will inquire to the user about the term and possibility into repair.

With the object of its correct operation, and of the validity of this one guarantee, this product will have to be installed and to be used according to the instructions that are detailed in the manual associate or the package of the product.

This unit will be able to appear for its repair, next to the invoice of purchase (or any other proof where the date of purchase consists), to its authorized distributor **Topp Pro** or an authorized technical center on watch by **Topp Pro**.

### Exclusion of damages:

**THE RESPONSABILITY OF TOPP PRO BY ANY DEFECTIVE PRODUCT IS LIMITED THE REPAIR OR THE REPLACEMENT OF HE HIMSELF, TO TOPP OPTION PRO. IF WE CHOSE TO REPLACE THE PRODUCT, THE REPLACEMENT CAN BE A RECONDITIONATED UNIT. TOPP PRO WILL NOT BE RESPONSIBLE BY THE DAMAGES BASED ON THE LOST, INCONVENIENCE, LOSS OF USE, BENEFITS, LOST SAVINGS, BY THE DAMAGE TO OTHER EQUIPMENT OR OTHER ARTICLES IN THE USE SITE, OR BY ANY OTHER DAMAGE IF HE IS FORTUITOUS, CONSEQUENT OR OF ANOTHER TYPE, ALTHOUGH TOPP PRO HAS BEEN NOTICED OF THE POSSIBILITY OF SUCH DAMAGES.**

Some states do not allow to the exclusion or the limitation to the fortuitous or consequent damages, so the aforesaid limitation can not be applied to you.

This guarantee gives specific legal rights him, you you can also have other right that varies of state to state.



***TOPP PRO MUSIC GEAR***

[www.toppopro.com](http://www.toppopro.com)

***IKS***  
***MONITOR***  
***SERIES***

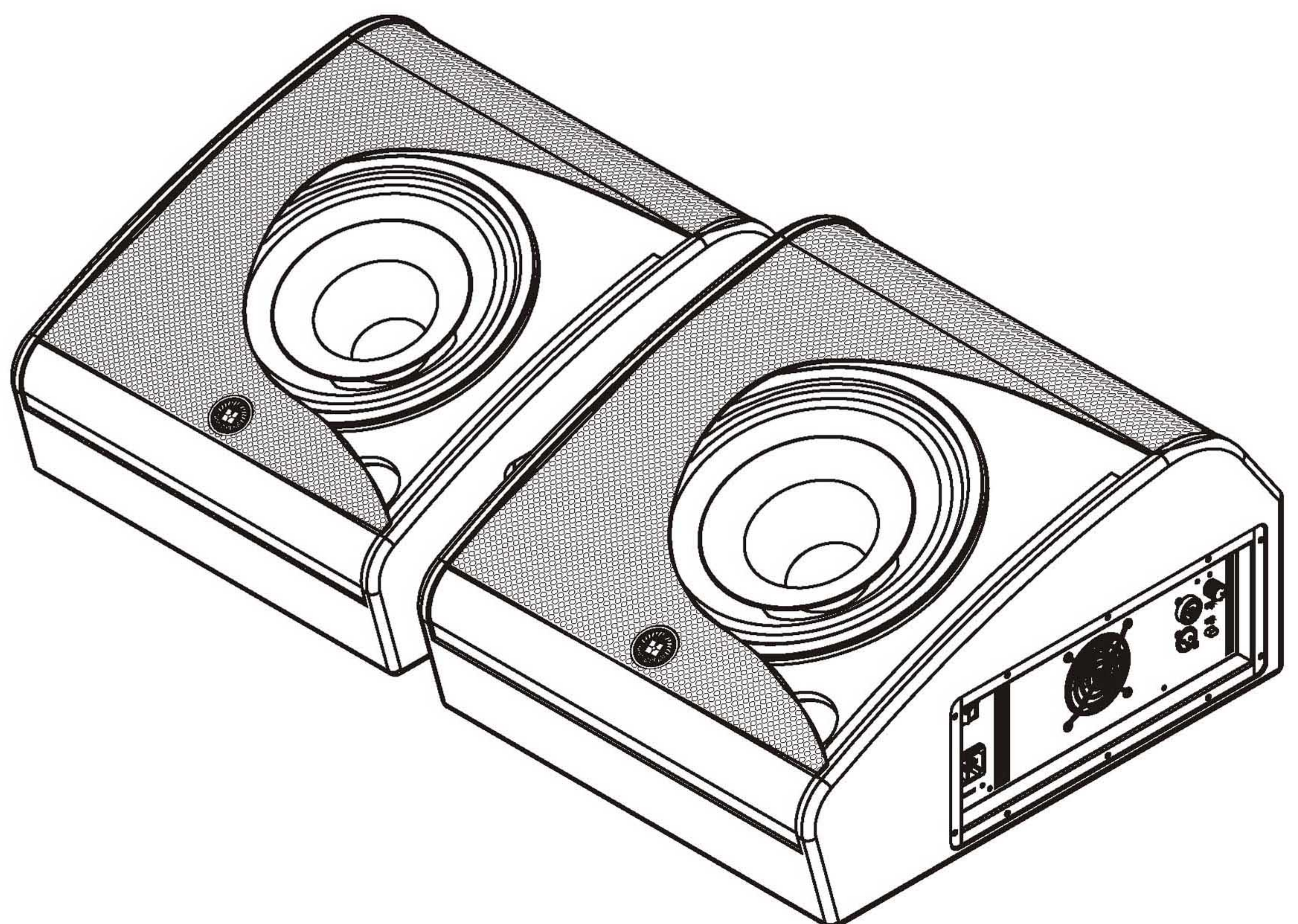


**K/S**  
**MONITOR**  
**S E R I E S**

## Manual de Usuario

MONITORES PROFESIONALES ACTIVOS  
**KS12CMA - KS15CMA**

---



## Símbolos Relacionados con Seguridad



### ATENCIÓN

Para reducir el riesgo de incendio o choque eléctrico no exponga este aparato a la lluvia o humedad.

### No remueva los paneles

En el interior del producto hay áreas en las que hay altos voltajes. No quite los paneles hasta desconectar el cable de la red principal de alimentación. Los paneles deben ser removidos solo por personal de servicio calificado. No hay partes útiles para el usuario en el interior.



Este símbolo siempre es utilizado para alertarle de la presencia de voltajes peligrosos dentro de ésta unidad. Estos voltajes pueden constituir suficiente riesgo de un choque eléctrico.



Este símbolo siempre es utilizado para alertarle de importantes instrucciones de operación o de mantenimiento. Por favor cuando lo vea, lea la instrucción.



Terminal de Tierra



AC Principal (Corriente Alterna)



Terminal Peligrosa Viva

ON: Denota que la unidad está encendida

OFF: Denota que la unidad está apagada

**Advertencia:** Describe precauciones que deben tomarse para prevenir la muerte o heridas del usuario.

**Precaución:** Describe las precauciones que deben ser observadas para prevenir daños en la unidad.

### Advertencia

#### Fuente de Alimentación

Asegúrese de que el voltaje general es igual al voltaje del equipo antes de encender el aparato. No comprobarlo puede resultar en daños al equipo y al usuario. Desconecte el equipo ante la amenaza de tormenta eléctrica o cuando no vaya a usarse por largos períodos de tiempo.

#### Conexión Externa

La conexión de cableado con conectores vivos requiere que sea realizado por personal instruido o implica la utilización de cableado listo para usar. No usarlo implica riesgo de incendio o muerte.

#### Fusible

Para prevenir el riesgo de fuego o daños al producto, use solo el tipo de fusible recomendado en este manual. No ponga en cortocircuito el soporte del fusible. Antes de reemplazar el fusible, asegúrese que el producto está apagado y desconectado de la red de electricidad.

#### Conexión a Tierra

Antes de encender el equipo, asegúrese que está conectado a tierra. Esto prevendrá el riesgo de choque eléctrico. Nunca corte los cables internos o externos. Asimismo, nunca remueva la conexión a tierra.

#### Instrucciones de Operación

Este aparato no debe ser expuesto a salpicaduras o gotas y no se deben apoyar vasos con líquidos sobre el aparato.

No use este aparato cerca del agua.

Instale este equipo de acuerdo a las instrucciones del fabricante.

No instale el equipo cerca fuentes de calor, tales como radiadores, estufas o cerca de otros aparatos que producen calor.

No bloquee ningún orificio de ventilación. No coloque ninguna fuente de llamas vivas (por ejemplo: candelabros o velas) sobre el aparato.



No deposite ninguna parte de esta unidad en los basureros municipales. Utilice depósitos especiales para esos efectos.

### ADVERTENCIA DE TRANSPORTE



#### Pedestales

El componente debe ser utilizado únicamente con el tipo de pedestal recomendado por el fabricante.

La combinación de un componente y pedestal debe moverse con cuidado.

Detenciones rápidas, fuerza excesiva y superficies desparejas pueden causar que el componente o el pedestal vuelquen.

### INSTRUCCIONES IMPORTANTES DE SEGURIDAD

- Lea estas instrucciones.
- Siga estas instrucciones.
- Guarde estas instrucciones.
- Tenga en cuenta todas las advertencias.
- Use solo accesorios especificados por el fabricante.

#### Cable de alimentación y conexión

No altere el cable y el enchufe. Un enchufe polarizado tiene 2 patas con una más ancha que la otra. Un enchufe con toma a tierra posee 2 patas y una tercera es la conexión a tierra. Son diseñados teniendo en cuenta su seguridad. No quite la conexión a tierra!!

Conecte el equipo a un tomacorriente cercano, de fácil acceso y con protección a tierra.

Si su enchufe no entra en su tomacorriente requiera la ayuda de un electricista calificado.

Proteja al cable y al enchufe de cualquier presión física para evitar riesgo de choque eléctrico.

No coloque objetos pesados sobre el cable de alimentación. Esto puede causar choque eléctrico o fuego.

#### Limpieza

De ser necesario, sopla el polvo del producto o utilice un paño seco. No use solventes tales como: bencina, alcohol u otro fluido muy inflamable y volátil para limpiar el aparato.

#### Servicio Técnico

Para servicio técnico consulte solo con el personal de servicio calificado. Para reducir el riesgo de choque eléctrico, no realice ningún de tipo de servicio más allá del descrito en este manual.



#### Atención

La exposición a niveles de sonido extremadamente altos puede ocasionar la pérdida de audición de manera irreversible.

La Administración de Seguridad y Salud Ocupacional del gobierno de los Estados Unidos (OSHA), ha especificado los niveles permitidos de exposición. Estos se muestran a continuación:

Horas por día	SPL	Ejemplo
8	90	Concierto pequeño
6	92	Tren
4	95	Subterráneo
3	97	Monitoreo de alto nivel
2	100	Concierto de música clásica
1.5	102	
1	105	
0.5	110	
0.25 o menor	115	Concierto de Rock

Según la OSHA la exposición excesiva a altos niveles de SPL puede provocar sordera. Para prevenirla, recomienda que el personal que trabaja que equipos capaces de generar altos SPL, utilice protección auditiva cuando esos equipos están en operación.



## Tabla de contenido

---

1. INTRODUCCION .....	4
2. CARACTERISTICAS .....	4
3. DATOS UTILES .....	4
4. ELEMENTOS DE CONTROL .....	5
5. DIAGRAMA DE CONEXIONES .....	6
6. AJUSTE DE ANGULOS .....	8
7. CONFIGURACION DE ALAMBRADO .....	9
8. RESPUESTA DE FRECUENCIA .....	10
9. ESPECIFICACIONES TECNICAS .....	11
10. GARANTIA .....	13
11. NOTAS .....	14

## 1

## Introducción

---

Gracias por preferir los productos **Topp Pro. KS** es la nueva serie de monitores activos de **Topp Pro**, ha sido diseñada para proveer alta eficiencia a un costo razonable, manteniendo alta calidad en la construcción y optimizando sus componentes.

Los monitores **KS 12CMA** y **KS 15CMA**, son livianos y contienen un poder de 800 watts continuos clase D, esta serie quiebra con los paradigmas tradicionales, todos los monitores están cargados con un driver de 1.75" de bobina y son coaxiales. Las bocinas son de alto rendimiento y calidad. Un DSP es utilizado a través de todo el proceso de señal, proveyendo un excelente nivel de sonido, claridad y alta presión acústica que define a esta serie.

Los materiales utilizados son de primer nivel en calidad y el proceso de construcción es de lo más avanzado de la industria. El montaje y la eficiencia hacen que la serie **KS CMA** tenga un amplio rango de aplicaciones en vivo. Todos los productos **Topp Pro** son estrictamente probados y cumplen con los más rigurosos estándares de calidad de la industria del audio profesional.

Por favor lea este manual cuidadosamente para obtener el máximo rendimiento y funcionalidad de este equipo.

## 2

## Características

---

- Apariencia atractiva y profesional
- Monitor de 2 vías con DSP
- Driver de 1" de salida y 1.75" de bobina
- Amplificadores clase D + AB BI - AMP de 800 watts.
- Control de Volumen, encendido, limitador, selector de tierra y sensibilidad de entrada
- Programación DSP: Vocal 1 / Flat / Vocal 2
- Protecciones: Térmica, ventilador convencional, sobrecarga y compresor-limitador digital
- Selector de voltaje: 110-120V (50-60Hz) ó 220-240V (50-60Hz)
- Gabinete: Plywood, pintura resistente, parrilla metálica, soportes de hule.
- Soporte para pedestal, soporte para diferentes ángulos de proyección y agarradera.

## 3

## Datos útiles

---

Por favor anote aquí el número de serie para una futura referencia.

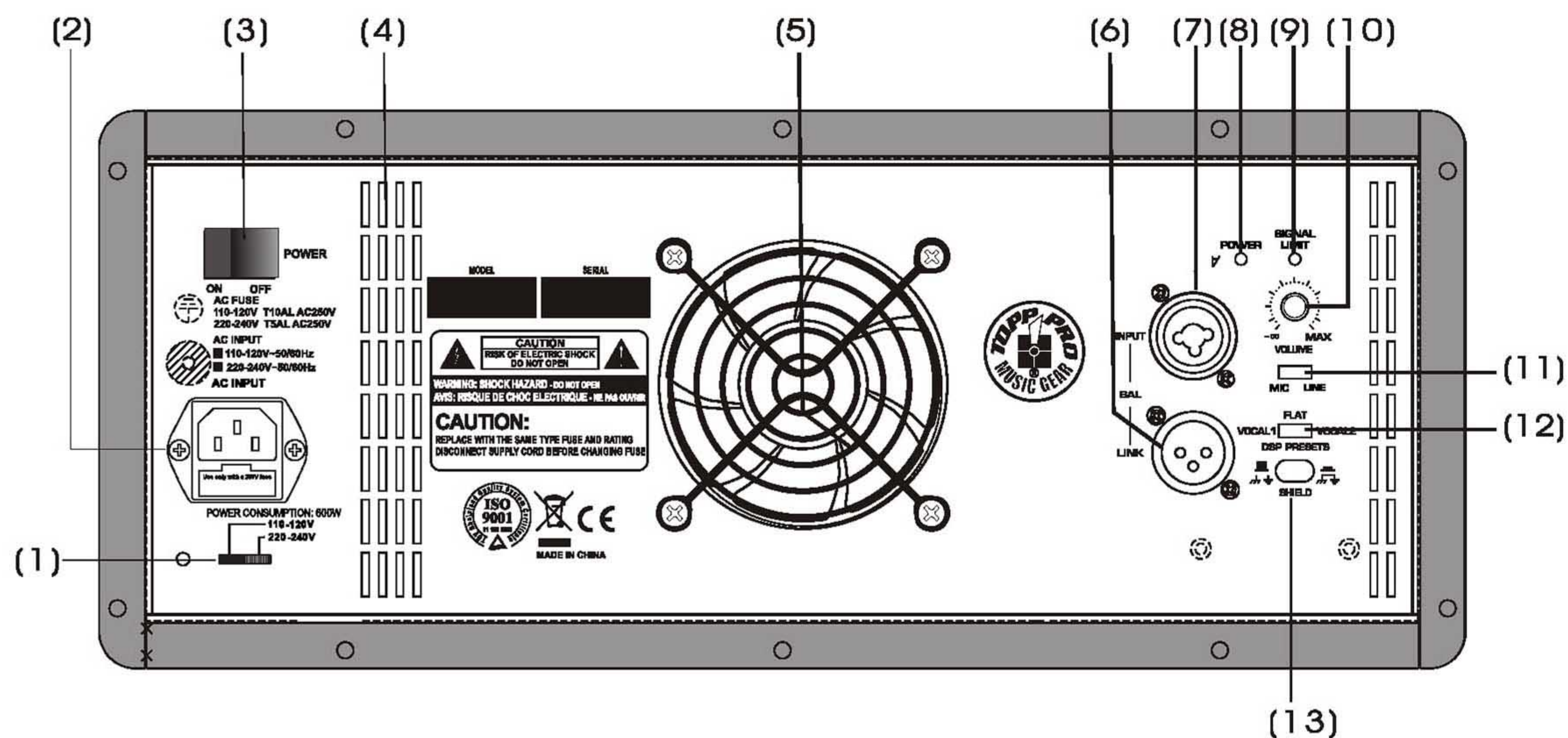
Número de Serie:

Fecha de Compra:

Adquirido en:

## Elementos de Control

### KS12CMA/KS15CMA

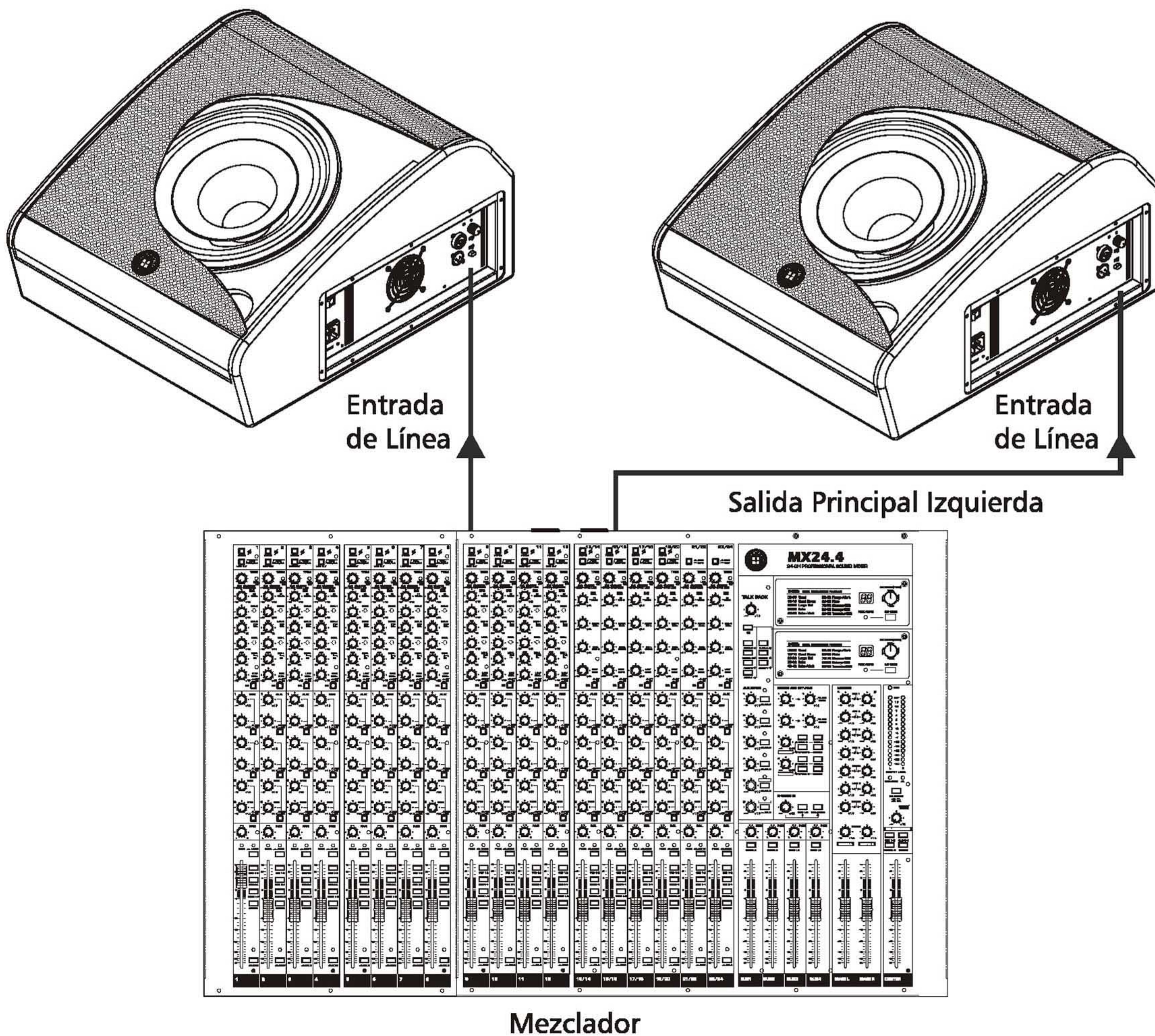


- 1 - Entrada de Corriente con porta fusible
- 2- Selector de voltaje
- 3- Interruptor Principal
- 4- Rejillas de ventilación y disipación de calor
- 5- Ventilador
- 6- Conector para lazo tipo XLR
- 7- Entrada de Línea con conector tipo Combo XLR/ 1/4"
- 8- Indicador de Encendido
- 9- Indicador de "Clip"
- 10- Control de Volumen
- 11 - Selector de Entrada
- 12 - Programas DSP
- 13 - Selector de Tierra (GND)

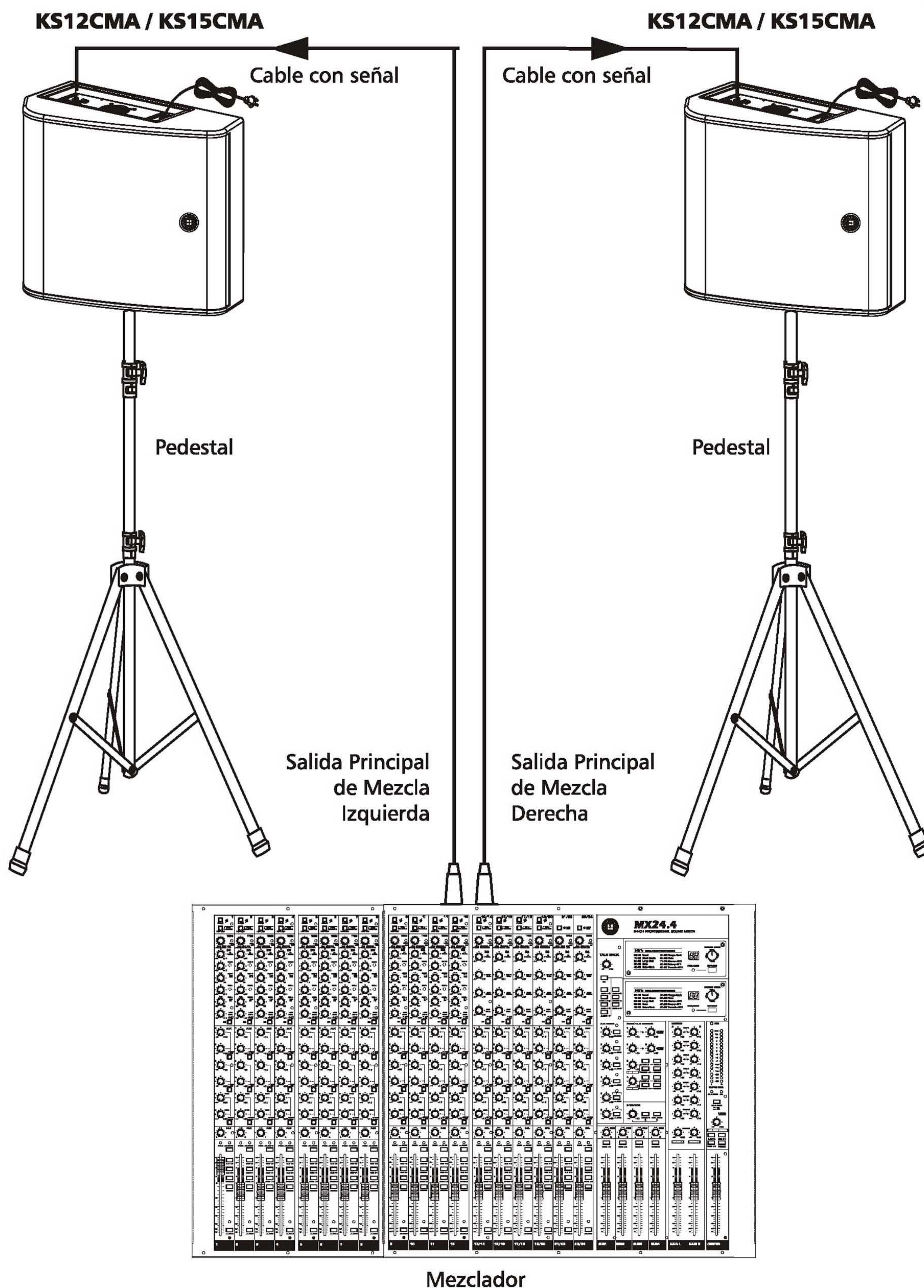
## Diagrama de Conexiones

**Antes de hacer cualquier conexión, asegúrese de que todo su equipo esté apagado. Además de que todos los controles de volumen estén totalmente abajo.**

- 1) Conecte uno de los lados del cable de señal a la salida de su mezclador izquierda / derecha con un conector TRS o XLR y el otro lado del cable a la entrada de línea en el receptor tipo combo de su gabinete activo (con un conector TRS o XLR).
- 2) Conecte el cable de corriente eléctrica.
- 3) Encienda su mezclador primero y después los gabinetes activos.
- 4) Suba el control de volumen de su gabinete activo hasta un 75%.
- 5) Utilice la función del PFL para ajustar la entrada del canal del mezclador y manipule el volumen de su equipo desde el control maestro.
- 6) Después de utilizar el equipo, apague primero el gabinete activo y después el mezclador.



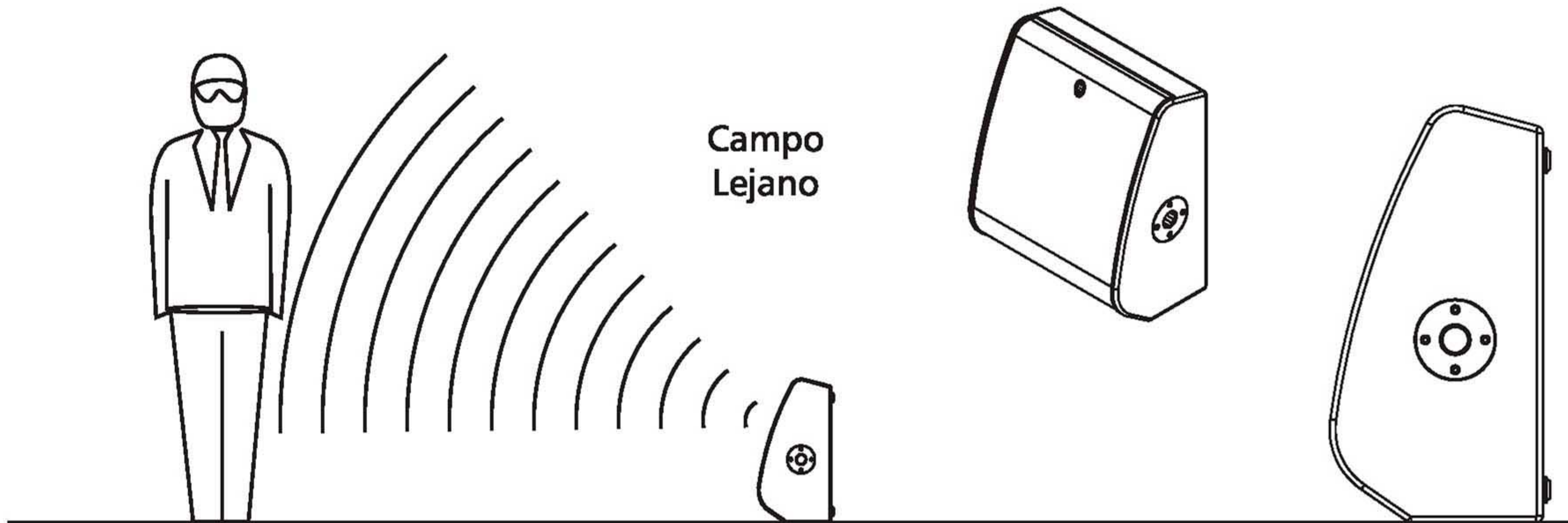
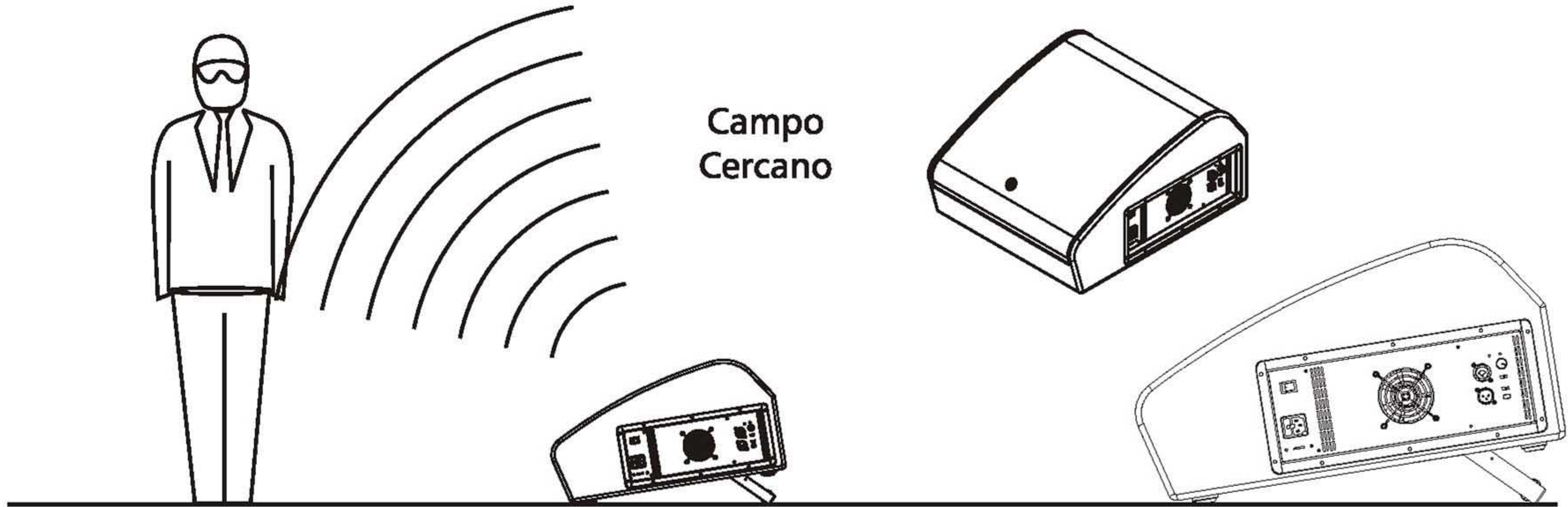
# Diagrama de Conexiones



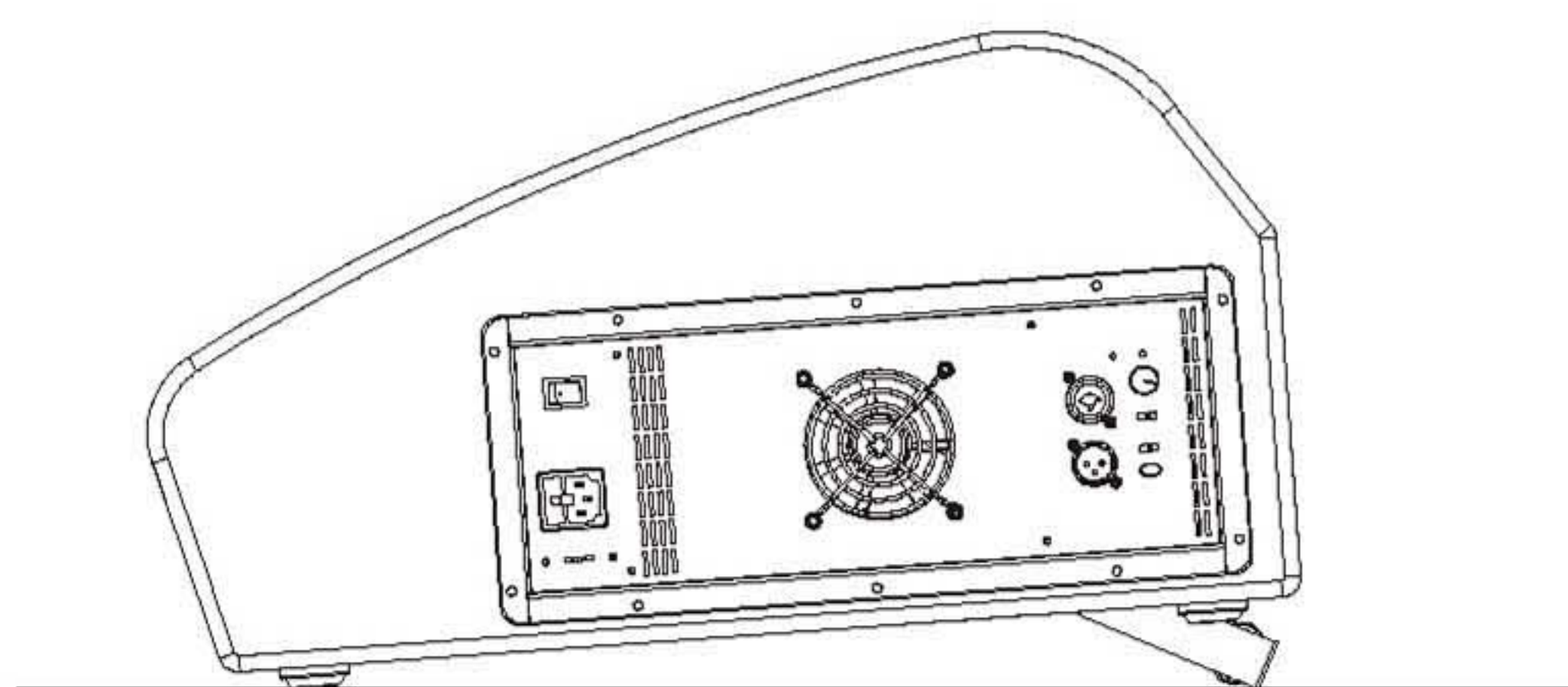
# 6

## Ajuste de Angulos

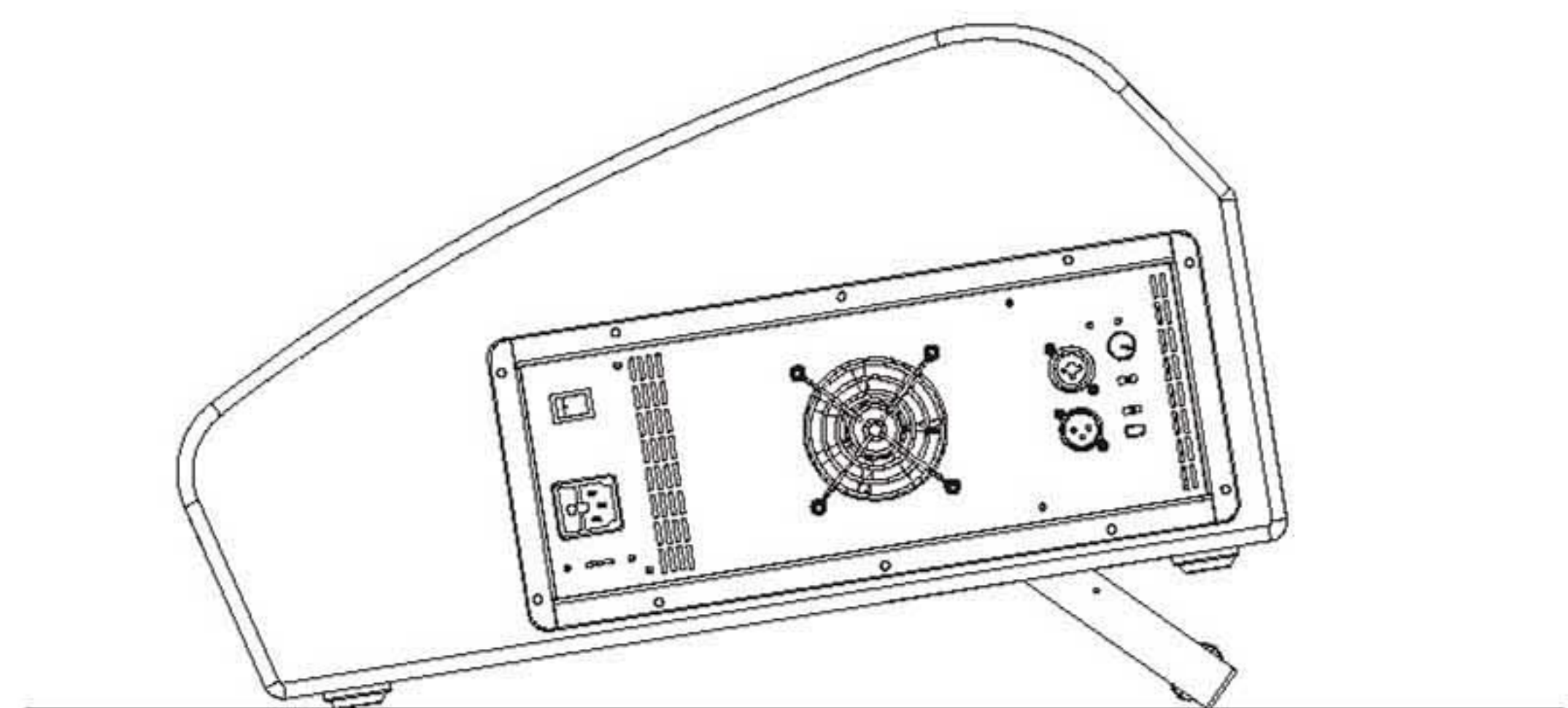
Uso en el Piso



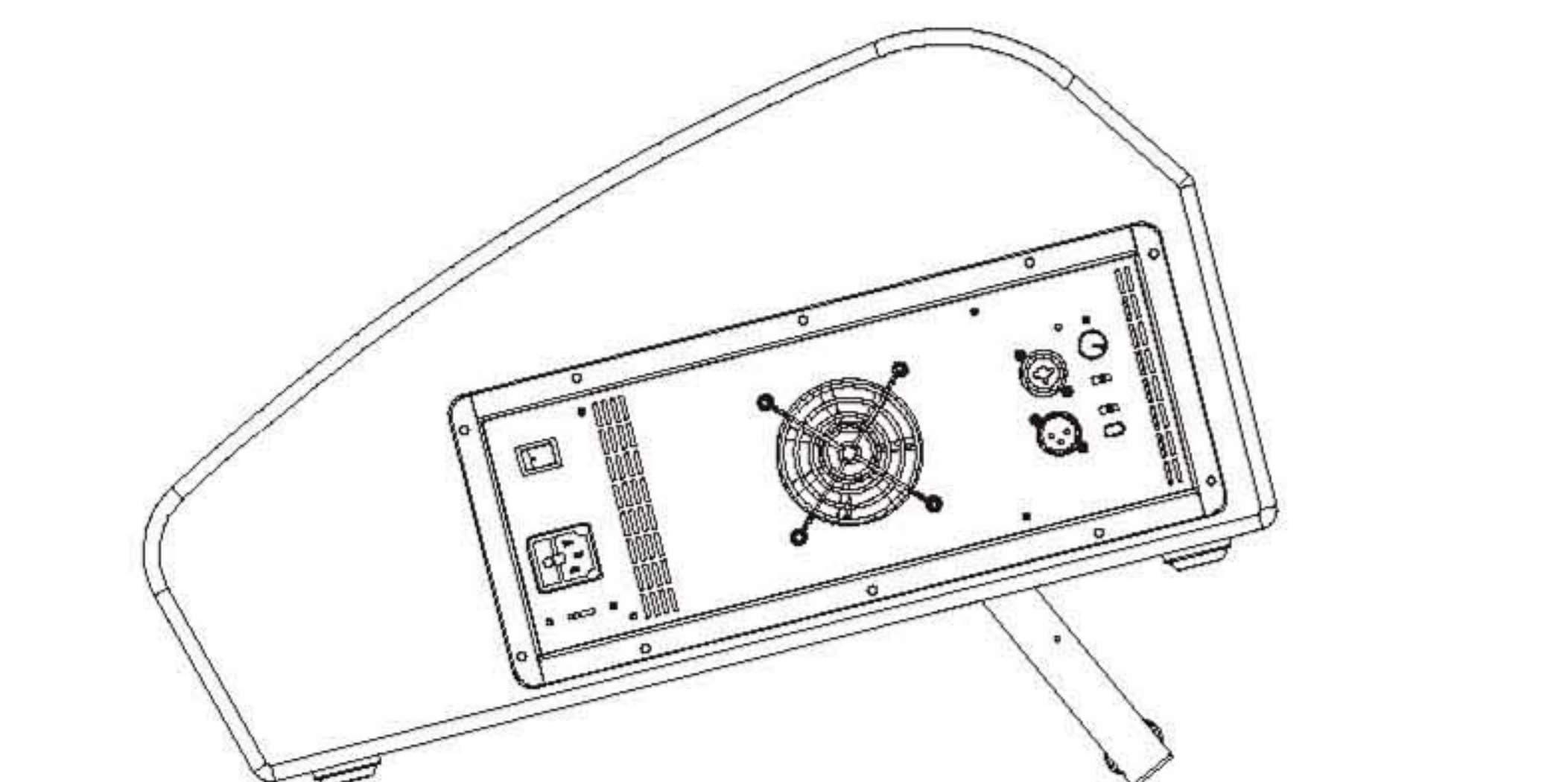
Ajuste de Ángulos



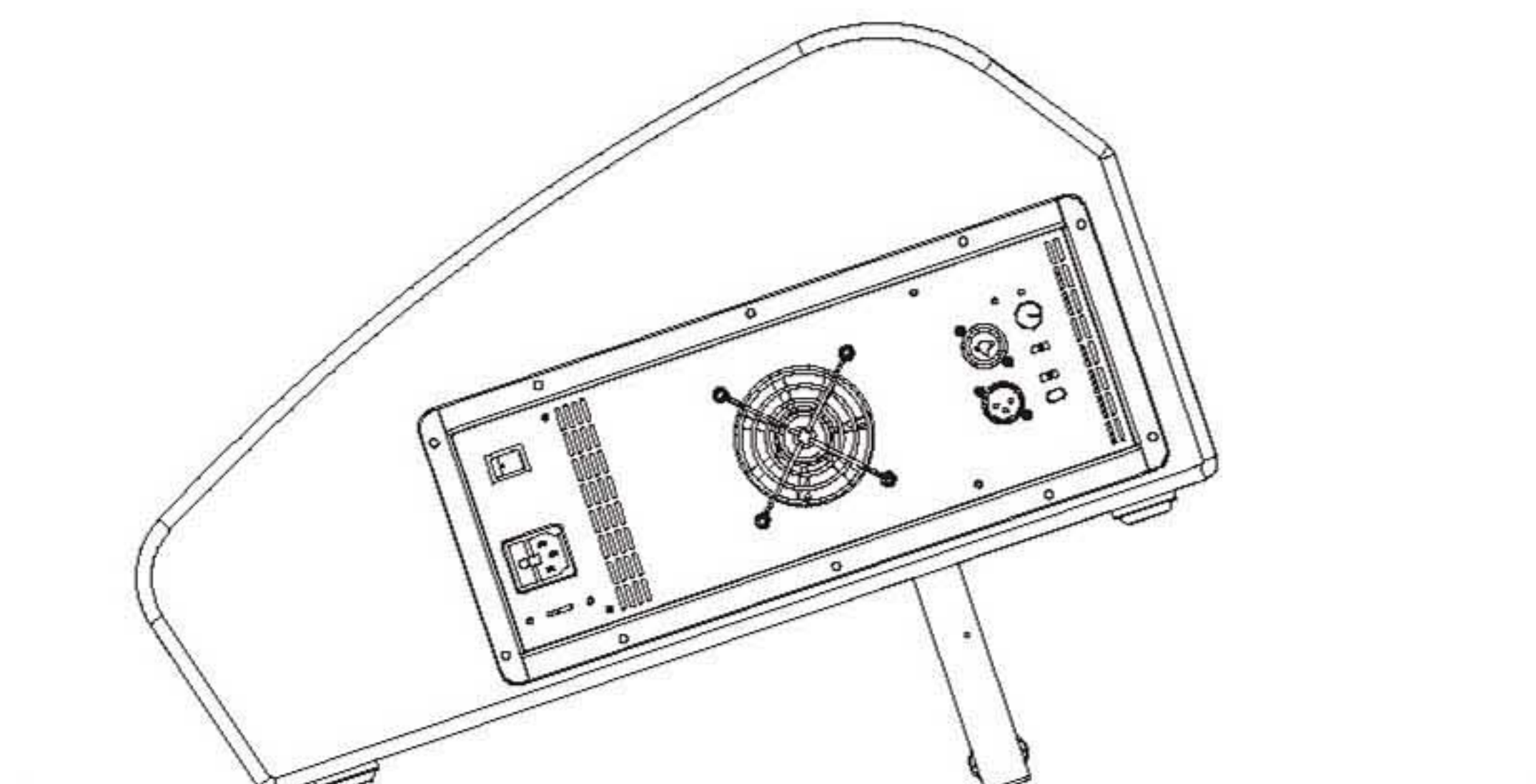
Ángulo de 25°



Ángulo de 30°



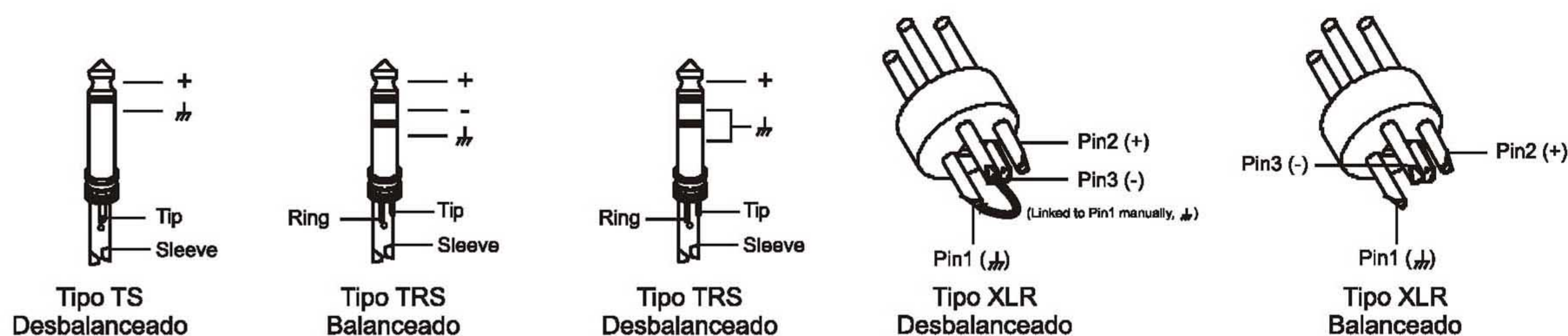
Ángulo de 35°



Ángulo de 40°

## Configuración de Alambrado

Cualquiera de los dos conectores, ya sea el TRS de 1/4" o el XLR, pueden alambrarse en modo no balanceado o balanceado, dependiendo de la necesidad de trabajo. Los siguientes son unos ejemplos de cómo se pueden alambra estos conectores:

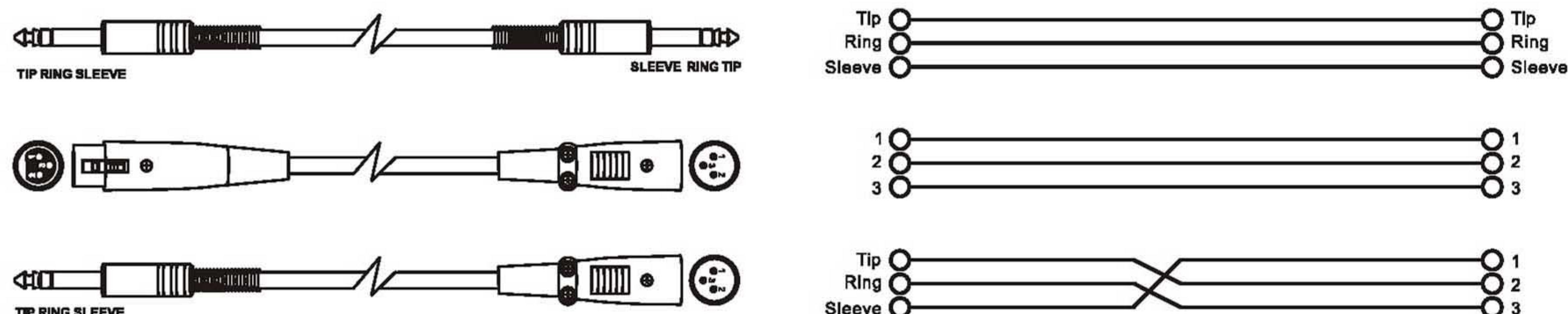


### Conexión Línea de Entrada

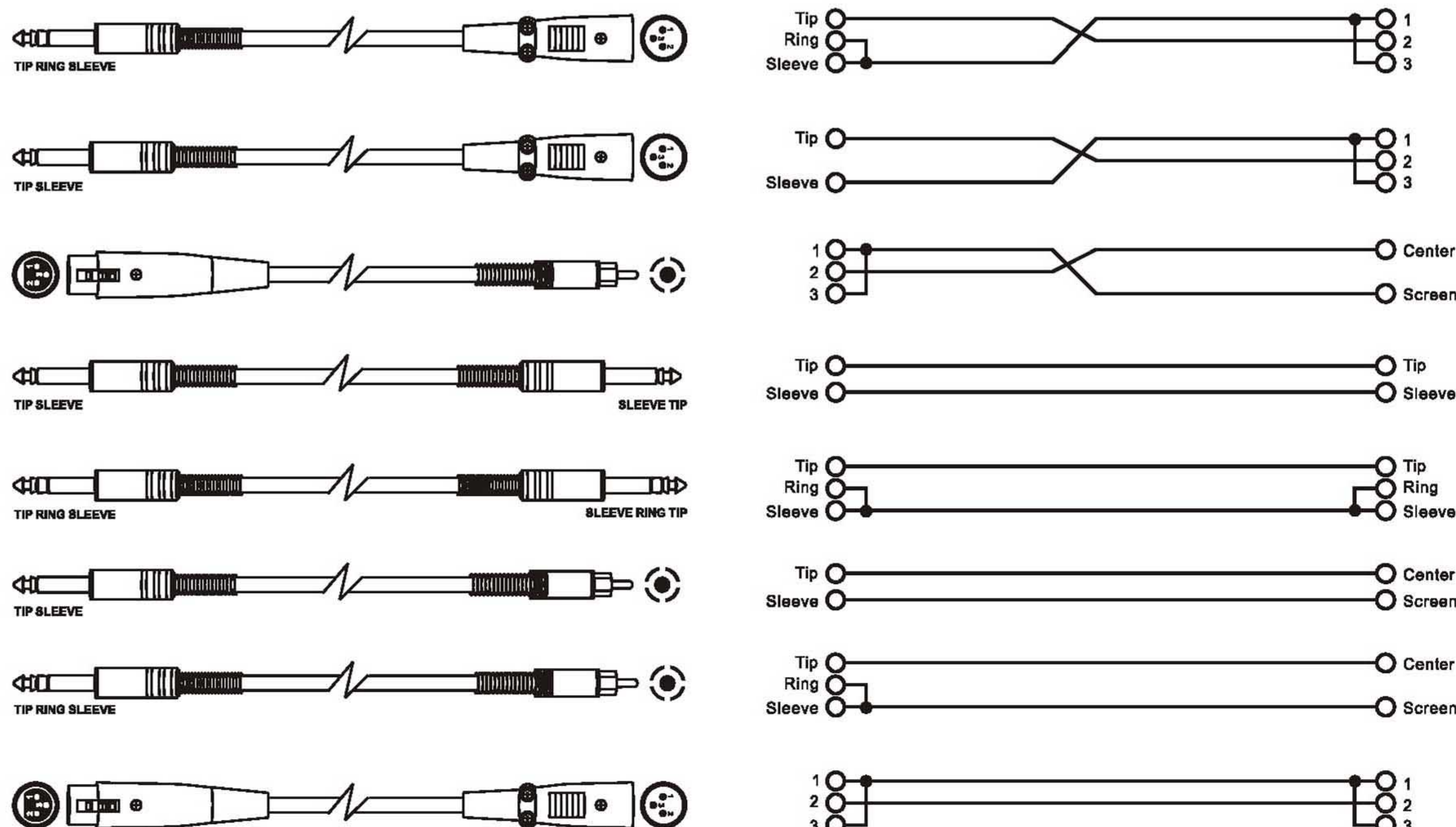
Como se mencionó antes, esta unidad cuenta con varios tipos de conectores para diferentes aplicaciones.

Los siguientes son algunos ejemplos de conexiones que se utilizan como interfase entre diferentes equipos:

#### • Balanceado

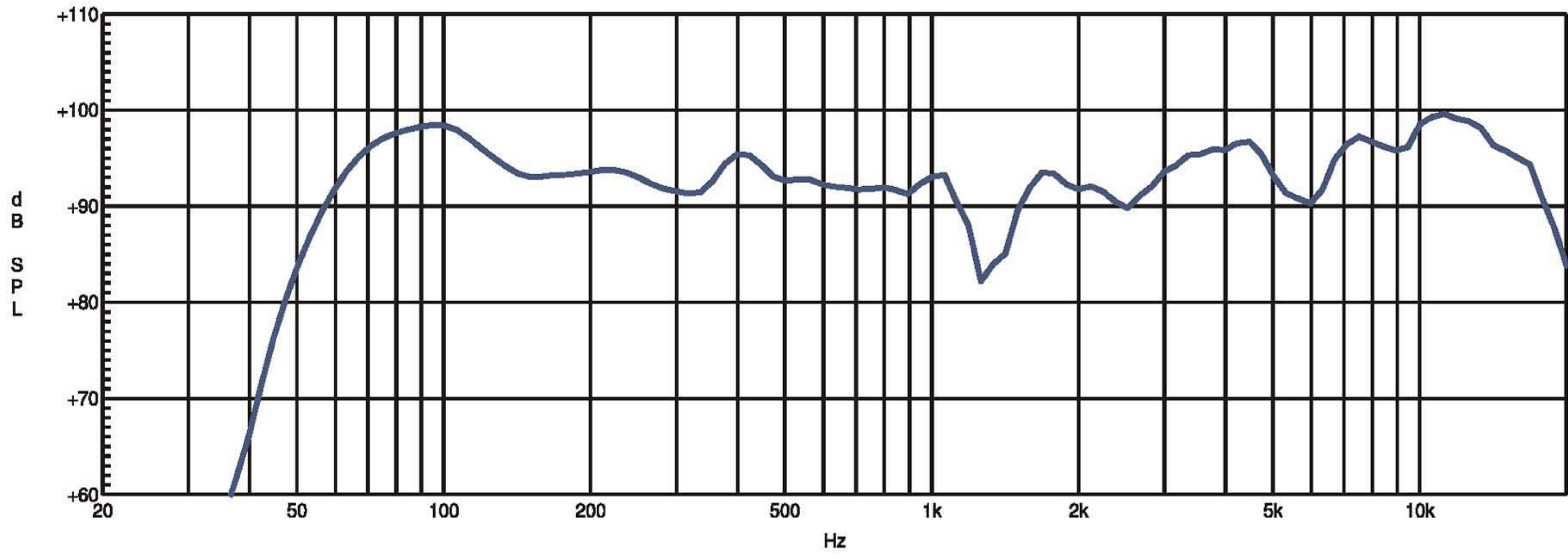


#### • No Balanceado

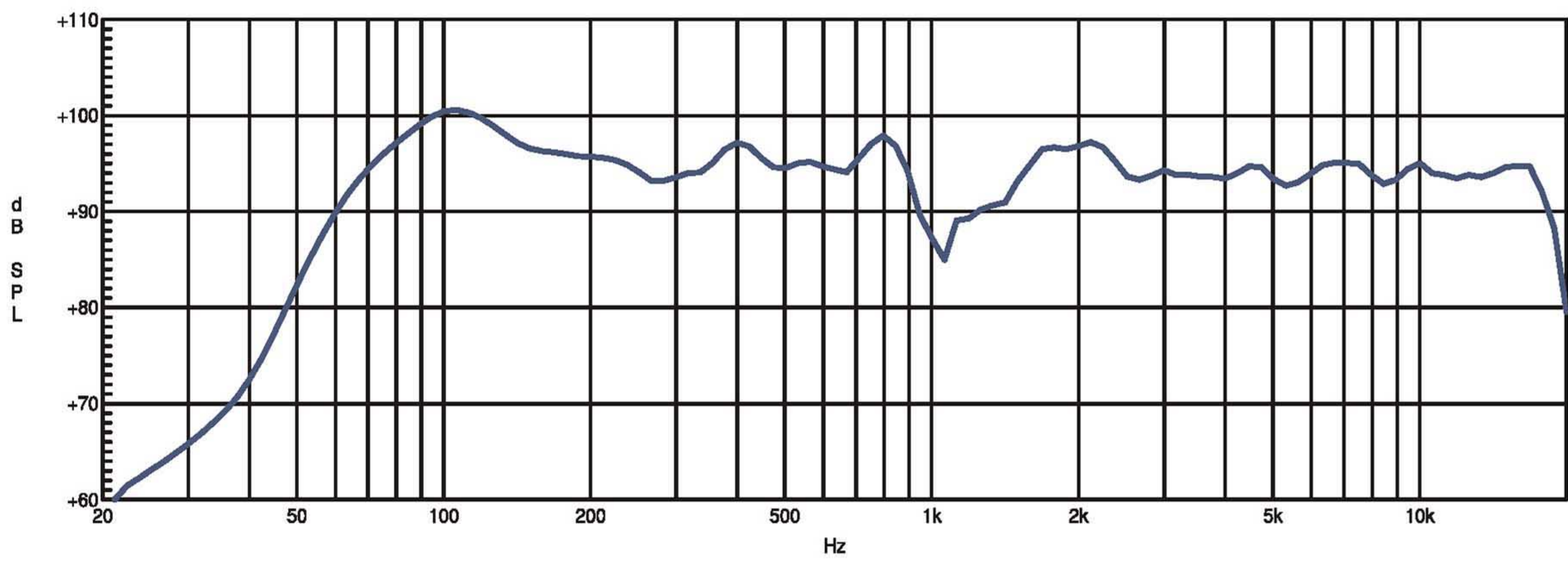


## Respuesta de Frecuencia

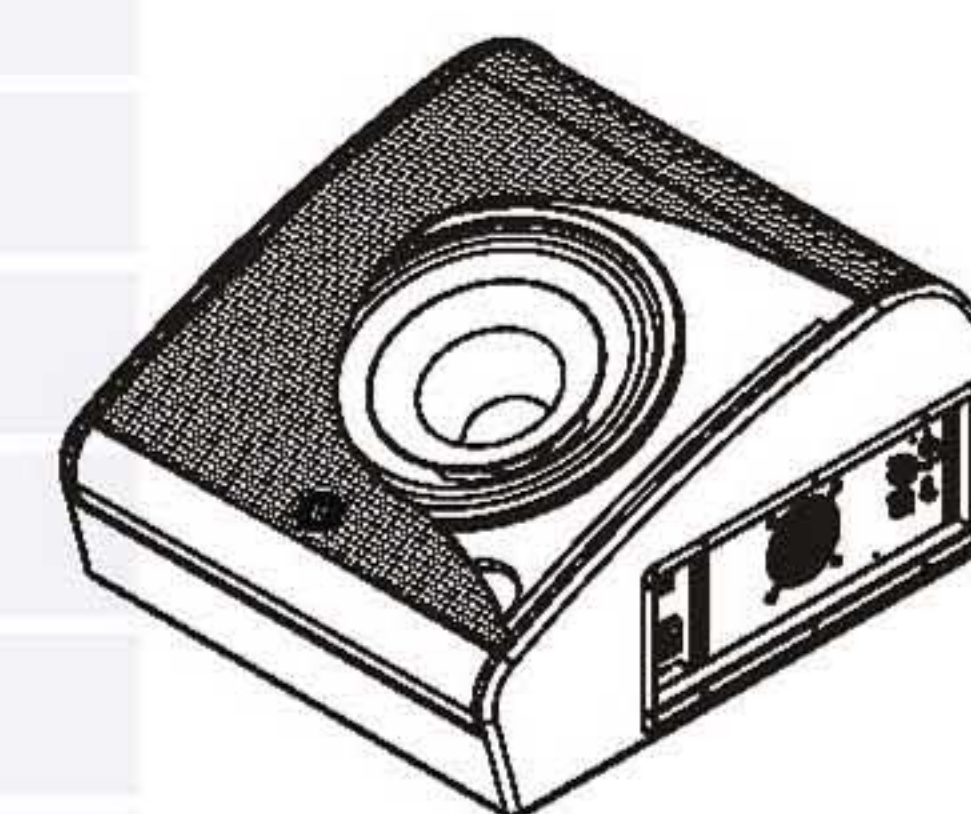
KS 12CMA



KS 15CMA







## Especificaciones Técnicas

Monitor Activo	<b>KS12CMA</b>
Tipo	2 Vías Bi-Amplificado Clase D con DSP
Woofers	12" con Bobina de 3"
Driver	1" de Salida con Bobina de 1,75"
Cobertura (H x V)	60° x 40° (-6dB)
Respuesta de Frecuencia (-6dB)	60Hz - 20KHz
Crossover	1.5KHz con 24dB filtro Linkwitz-Riley
Máximo SPL	128 dB
Poder de Salida	800W Contínuos BI-AMP (Clase D 650 W en Bajos / Clase AB 150 W en Altos) 1600W Pico
Conectores	Mic / Línea tipo Combo XLR / 1/4" y XLR para Lazos
Entrada de Línea	Tipo Combo XLR / 1/4" (0dB)
Programa DSP	Vocal 1 / Flat / Vocal 2
Controles Externos	Control de Volumen, Indicador verde de encendido, Indicador rojo para el clip y selector de Tierra, Selector de entrada
Protecciones Electrónicas	Térmico, sobrecarga, doble compresor-limitador y ventilador
Fuente de Poder	110-120V / 220-240V 50/60Hz Seleccionable
Gabinete	Trapezoidal en Plywood con acabado en pintura resistente, parrilla frontal en metal, soportes de hule y agarraderas
Montaje	Adaptador para pedestal / Ángulos Ajustables (20°, 25°, 30°, 35°, 40°)
Dimensiones (Al. / An. / Fon.)	291.9 x 470 x 570.3mm
Peso Neto	21.8Kg / 48Lbs
Volumen	4.91CFT

## Especificaciones Técnicas



Monitor Activo	<b>KS15CMA</b>
Tipo	2 Vías Bi-Amplificado Clase D con DSP
Woofer	15" con Bobina de 3"
Driver	1" de Salida con Bobina de 1,75"
Cobertura (H x V)	60° x 40° (-6dB)
Respuesta de Frecuencia (-6dB)	55Hz - 20KHz
Crossover	1.5KHz con 24dB filtro Linkwitz-Riley
Máximo SPL	129 dB
Poder de Salida	800W Contínuos BI-AMP (Clase D 650 W en Bajos / Clase AB 150 W en Altos) 1600W Pico
Conectores	Mic / Línea tipo Combo XLR / 1/4" y XLR para Lazos
Entrada de Línea	Tipo Combo XLR / 1/4" (0dB)
Programa DSP	Vocal 1 / Flat / Vocal 2
Controles Externos	Control de Volumen, Indicador verde de encendido, Indicador rojo para el clip y selector de Tierra, Selector de entrada
Protecciones Electrónicas	Térmico, sobrecarga, doble compresor-limitador y ventilador
Fuente de Poder	110-120V / 220-240V 50/60Hz Seleccionable
Gabinete	Trapezoidal en Plywood con acabado en pintura resistente, parrilla frontal en metal, soportes de hule y agarraderas
Montaje	Adaptador para pedestal / Ángulos Ajustables (20°, 25°, 30°, 35°, 40°)
Dimensiones (Al. / An. / Fon.)	306.9 x 510 x 570.3mm
Peso Neto	24.6Kg / 54.3Lbs
Volumen	5.47CFT

## Garantía

---

**Topp Pro** garantiza el normal funcionamiento del producto contra cualquier defecto de fabricación y/o vicio de material, por el término de (12) meses, contados a partir de la fecha de compra por parte del usuario, comprometiéndose a reparar o cambiar, a su elección, sin cargo alguno, cualquier pieza o componente que fallare en condiciones normales de uso dentro del período mencionado.

Para que ésta garantía sea válida, el comprador original deberá presentar este certificado debidamente sellado y firmado por la casa vendedora, acompañado por la correspondiente factura de compra donde constará el modelo y número de serie del equipo adquirido.

La garantía no cubre:

- Daños ocasionados por el uso indebido del producto, reparación y/o modificación efectuados por personas no autorizadas por **Topp Pro**.
- Daños ocasionados por la conexión del equipo a otros equipos distintos de los especificados en el manual de uso, o bien por mala conexión a estos últimos.
- Daños ocasionados por tormentas eléctricas, golpes y/o transporte incorrecto.
- Daños ocasionados por excesos o caídas de tensión en la red o por conexión a redes con una tensión distinta a la requerida por la unidad.
- Daños ocasionados por la presencia de arena, ácido de pilas, agua, o cualquier elemento extraño en el interior del equipo.
- Deterioros producidos por el transcurso del tiempo, uso y/o desgaste normal de la unidad.
- Alteración o ausencia del número de serie de fábrica del equipo.

Las reparaciones solamente podrán ser llevadas a cabo el servicio técnico autorizado por **Topp Pro**, que informará acerca del plazo y demás detalles de las reparaciones a efectuarse conforme a esta garantía.

**Topp Pro** reparará esta unidad en un plazo no mayor a 30 días contados a partir de la fecha de entrada de la unidad al Servicio Técnico. En aquellos casos en que debido a la particularidad del repuesto, fuera necesaria su importación, el tiempo de reparación y la viabilidad de la misma estarán sujetos a las normas vigentes para la importación de partes, en cuyo caso se informará al usuario acerca del plazo y posibilidad de reparación.

A efectos de su correcto funcionamiento, y de la validez de ésta garantía, este producto deberá ser instalado y utilizado de acuerdo a las instrucciones que se encuentran detalladas en el manual adjunto o en el envase del producto.

Esta unidad podrá presentarse para su reparación, junto a la factura de compra (o cualquier otro comprobante donde conste la fecha de compra), a su distribuidor autorizado **Topp Pro** o a un centro de servicio técnico autorizado por **Topp Pro**.

Exclusión de daños:

**LA RESPONSABILIDAD DE TOPP PRO POR CUALQUIER PRODUCTO DEFECTUOSO SE LIMITA A LA REPARACIÓN O AL REEMPLAZO DEL MISMO, A OPCIÓN DE TOPP PRO. SI ELEGIMOS SUBSTITUIR EL PRODUCTO, EL REEMPLAZO PUEDE SER UNA UNIDAD REACONDICIONADA. TOPP PRO NO SERÁ RESPONSABLE POR LOS DAÑOS BASADOS EN LA INCONVENIENCIA, PÉRDIDA DE USO, BENEFICIOS PERDIDOS, AHORROS PERDIDOS, POR EL DAÑO A OTROS EQUIPO O A OTROS ARTÍCULOS EN EL SITIO DE USO, O POR NINGUN OTRO DAÑO SI ES FORTUITO, CONSECUENTE O DE OTRO TIPO, AUNQUE TOPP PRO HAYA SIDO ADVERTIDO DE LA POSIBILIDAD DE TALES DAÑOS.**

Algunos países o estados no permiten la exclusión o la limitación a los daños fortuitos o consecuentes, así que la limitación antedicha puede no aplicarse a usted.

Esta garantía le da derechos legales específicos, usted puede también tener otros derechos que varían de estado a estado o de país a país.



***TOPP PRO MUSIC GEAR***

[www.topppro.com](http://www.topppro.com)

***IKS***  
***MONITOR***  
***SERIES***

NF04055-1.0