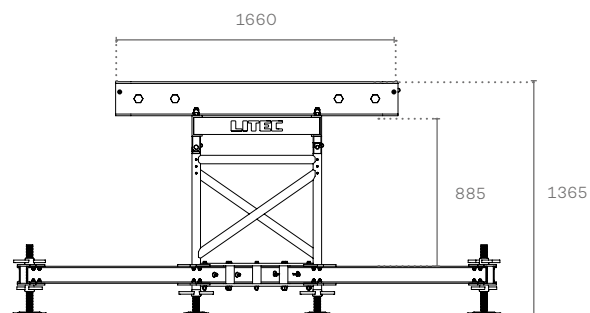
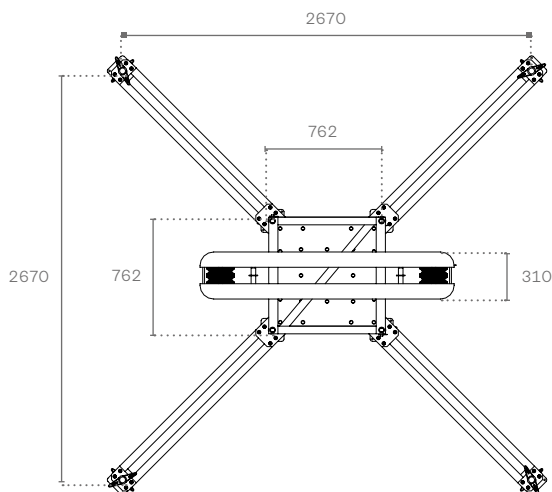


# Maxitower 76



The lifter uses QL76A trusses. It was designed to withstand the stresses that large structures transfer to the ground in their heaviest duty use. It is intended for use together with the LIBERA FL105 system.

Maximum tower height	→	20 m
Lifting system	→	chain hoist
Base module weight with top (excluding sleeve block and legs)	→	165 kg
Vertical main truss	→	QL76A
Compatible trusses (with suitable sleeve block)	→	FL105
Base dimensions	→	76 x 76 cm
Volume	→	0.58 m <sup>3</sup>
Maximum lifting load capacity	→	max 4000 kg





## Maxitower 76

It is connected to LIBERA FL105 and RL105A through special trucks, which are available with or without motor supports. The MT76 tower is composed of a base, extending stabilizers (that cover a maximum floor area of

2.7 m x 2.7 m), a main tower body that reaches up to 20 m in height, a top section with pulleys for electric chain hoists, and a modular sleeve block that can be assembled in different ways depending on application.

