

Jensen®

loudspeakers

Vintage AlNiCo

P 6 V 8Ω
Code ZJ03040
6,5" 20W

LOWS:
Tight

MIDS:
Firm

HIGHS:
Bright

OVERDRIVE:
Edgy

Sound Features:

Guitarist Description:

Warm clean tone with sparkling highs. It responds to overdrive distortion with a gritty bite.

Specifications

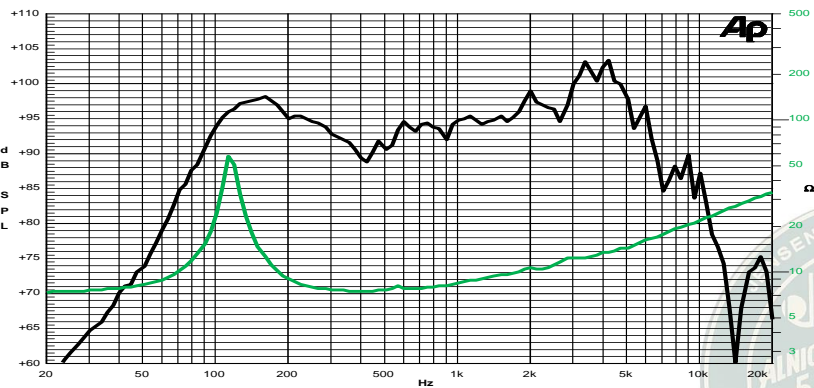
Nominal Diameter	165 mm (6,5")
Nominal Impedance	8 Ω
Rated Power AES ⁽¹⁾	20 W
Continuous Program Power ⁽²⁾	40 W
Sensitivity @ 1W/1m	91.9 dB
Voice Coil Diameter	25 mm
Voice Coil Winding Depth	7 mm
Magnetic Gap Depth	5 mm
Flux Density	1.00 T
Magnet Weight	118 g
Net Weight	0.7 kg

Thiele & Small Parameters⁽³⁾

Re	6.54 Ω	Fs	110.0 Hz
Qms	10.52	Mms	6.7 g
Qts	0.99	Bxl	5.29 Tm
Cms	310 μm/N	Sd	122.7 cm ²
Vas	6.6 l	Le (1kHz)	0.40 mH

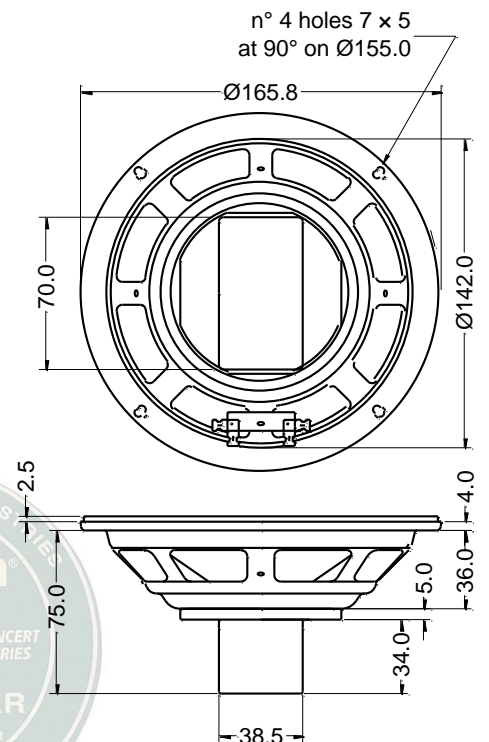
Constructive Characteristics

Magnet	AlNiCo
Basket Material	Pressed Sheet Steel
Voice Coil Winding Material	Copper
Voice Coil Former Material	Epotex
Cone Material	Paper
Surround Treatment	Yes
Surround Material	Paper - Integrated
Dust Dome Material	Non Treated Cloth



Note:

- 1: Rated Power measured with 2 hours test with pink noise signal, 6dB crest factor, loudspeaker mounted on enclosure
- 2: Power on Continuous Program is defined as 3 dB greater than the Rated Power
- 3: Thiele & Small parameters measured with laser system without preconditioning test
- 4: Drawing dimensions: mm
- 5: The notch around 400Hz on the frequency response is typical of the measurement on IEC baffle



21/09/17